

Gaylord Manufacturing Co.

A Division of ENOVA Engineering LLC

Table of Contents

General Information

Distributor Terms and Conditions

Gaylord Manufacturing

About Us

Request for Quote

Custom Design Enclosures

List of Custom Design Enclosures

Photos of Custom Design Enclosures

Standard Drawings

List of Drawings

Drawings

About Us

Gaylord Manufacturing Co.

A Division of ENOVA Engineering

Gaylord Manufacturing, Co. began operations in 1958 with an emphasis on prompt service and quality products. This has been the common thread between Gaylord and its customers for over 60 years. We have and will continue to be an enduring reliable supplier for electrical control enclosures. We are dedicated to our customers.

Our technical engineers work directly with customers to create a precise understanding of their order. Our staff strives to provide you with professional service and quality products you will be proud to distribute and use.

We maintain the reputation for fast turn-around time and high quality. Our staff rapidly responds to customer inquiries. Visit our website at www.gaylordmfg.com.

The team at Gaylord Manufacturing Co.

We offer a full line of steel and stainless steel electrical control enclosures. We provide complete engineering services for custom designs and modifications that meet your specifications.



Gaylord Manufacturing Co.

A Division of ENOVA Engineering LLC

**Electrical Enclosures
Bulk Bin Parts & Fasteners
Metal Stampings**

1-800-375-0091 ■ 209-538-3313 ■ Fax 209-538-8638

Quotation Request Form

Your Name:

Date:

Company Name:

Company Address:

E-mail:

City:

Phone Number:

State:

Zip:

Tell us about your project
(including a copy of one of our
drawings or one of your own.)

Our design engineer will contact you
if there are questions concerning
your order.

Comments:

List of Custom Design Enclosures

- 1.....Type 3R Hinge-Cover Enclosure
- 2.....Consolet with Pushbutton Holes
- 3.....Slope-Front Console with Writing Desk
- 4.....Special Stainless Steel Console with Cut Out
- 5.....Type 1 Two-Door with Louvers
- 6.....Type 3R Multi-Door Enclosure
- 7.....Type 12 Floor-Standing Horizontal Mounted Enclosure
- 8.....Type 1 Transformer Cabinet
- 9.....Console with Writing Desk C-14-36B
- 10...Type 3R Two-Door Enclosure 96x72x24
- 11...Type 12 Multi-Door Enclosure
- 12...Type 12 Single-Door Floor-Standing Enclosure
- 13...Type 12 Enclosure with Stainless Steel Cover
- 14...Type 12 Large Special Enclosure with Transformer Cut Outs
- 15...Slope-Front Console with PLC Cut Outs
- 16...Type 4X Four-Door Free-Standing Stainless Steel Enclosure
- 17...Type 12 Two-Door Free-Standing
- 18...Type 3R Hinge-Cover Enclosure with Double Padlock Bar
- 19...Weatherproof Flanged Receptacle Stainless Steel Box with Removable Top
- 20...Type 4 Enclosure with Lift-Off Cover
- 21...Type 4 Stainless Steel PLC Enclosures with Adjustable Stand
- 22...Type 4 Clamp-Cover Enclosure
- 23...Type 12 JIC Enclosure 6x6x4
- 24...Three-Section Control Center
- 25...Type 12 Three-Door Disconnect Enclosure 48Hx144x12D

Gaylord Manufacturing Co.

A Division of ENOVA Engineering LLC

Electrical Enclosures ■ Bulk Bin Parts & Fasteners ■ Metal Stampings

Special Type Enclosures



1. Type 3R Hinge
Cover Enclosure



2. Consolet with
Pushbutton Holes



3. Slope-Front Console with Writing Desk
48" High and 120" Long



4. Special Stainless Steel
Console with Cut Out

P.O. Box 547 ■ 1088 Montclare Drive ■ Ceres, CA 95307
209-538-3313 ■ 800-375-0091 ■ Fax 209-538-8638 ■ Website: www.gaylordmfg.com

Gaylord Manufacturing Co.

A Division of ENOVA Engineering LLC

Electrical Enclosures ■ Bulk Bin Parts & Fasteners ■ Metal Stampings

Special Type Enclosures



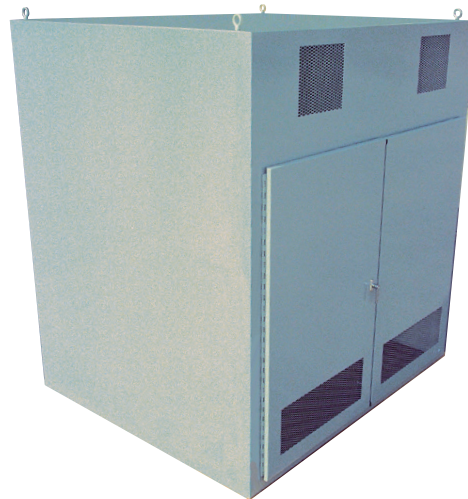
5. Type 1 Two-Door
with Louvers



6. Type 3R - Multi-Door
Enclosure



7. Type 12 Floor-Standing
Horizontal-Mounted Enclosure



8. Type I
Transformer Cabinet

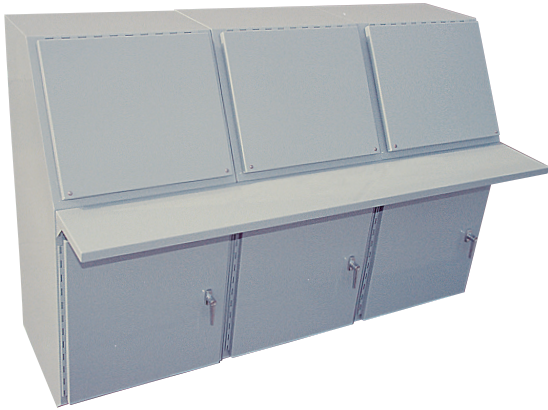
P.O. Box 547 ■ 1088 Montclare Drive ■ Ceres, CA 95307
209-538-3313 ■ 800-375-0091 ■ Fax 209-538-8638 ■ Website: www.gaylordmfg.com

Gaylord Manufacturing Co.

A Division of ENOVA Engineering LLC

Electrical Enclosures ■ Bulk Bin Parts & Fasteners ■ Metal Stampings

Special Type Enclosures



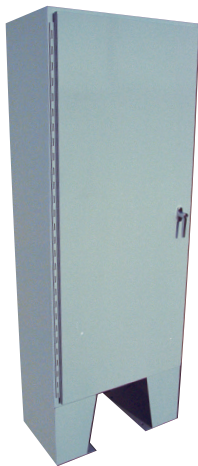
9. Console with Writing Desk
C14 - 36B



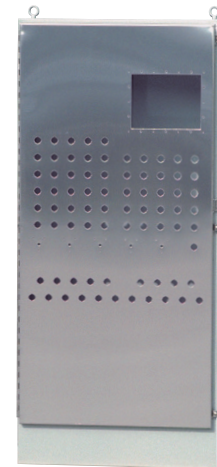
10. Type 3R
Two-Door Enclosure
96 x 72 x 24



11. Type 12 Multi-Door Enclosure



12. Type 12 Single-Door
Floor-Standing Enclosure



13. Type 12 Enclosure with
Stainless Steel Cover

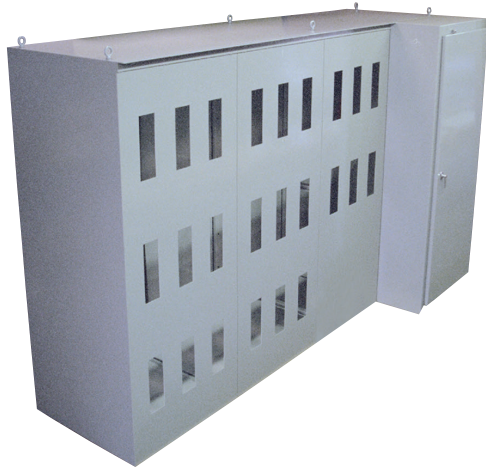
P.O. Box 547 ■ 1088 Montclare Drive ■ Ceres, CA 95307
209-538-3313 ■ 800-375-0091 ■ Fax 209-538-8638 ■ Website: www.gaylordmfg.com

Gaylord Manufacturing Co.

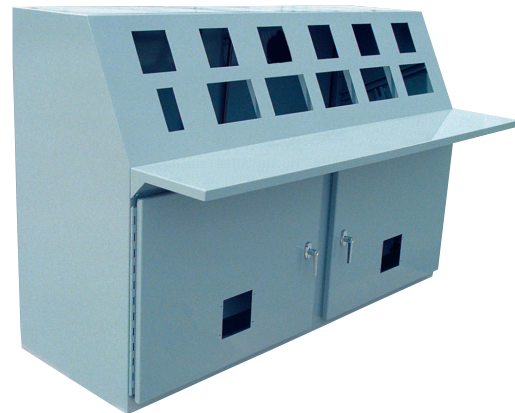
A Division of ENOVA Engineering LLC

Electrical Enclosures ■ Bulk Bin Parts & Fasteners ■ Metal Stampings

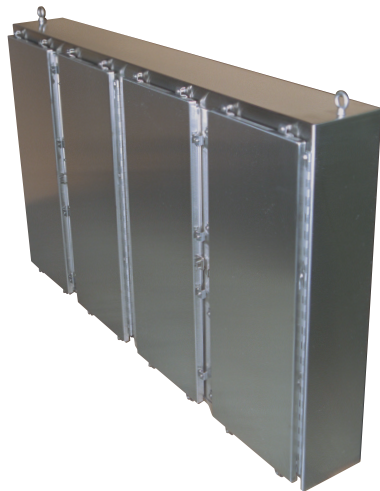
Special Type Enclosures



14. Type 12 Large Special Enclosure with Transformer Cut Outs



15. Slope-Front Console with PLC Cut Outs



16. Type 4X Four-Door Free-Standing Stainless Steel Enclosure



17. Type 12 Two-Door Free-Standing

P.O. Box 547 ■ 1088 Montclare Drive ■ Ceres, CA 95307
209-538-3313 ■ 800-375-0091 ■ Fax 209-538-8638 ■ Website: www.gaylordmfg.com

Gaylord Manufacturing Co.

A Division of ENOVA Engineering LLC

Electrical Enclosures ■ Bulk Bin Parts & Fasteners ■ Metal Stampings

Special Type Enclosures



18. Type 3R Hinge-Cover Enclosure
with Double Padlock Bar



19. Weatherproof Flanged
Receptacle Stainless Steel Box
with Removable Top



20. Type 4 Enclosure with Lift-Off Cover

P.O. Box 547 ■ 1088 Montclare Drive ■ Ceres, CA 95307
209-538-3313 ■ 800-375-0091 ■ Fax 209-538-8638 ■ Website: www.gaylordmfg.com

Gaylord Manufacturing Co.

A Division of ENOVA Engineering LLC

Electrical Enclosures ■ Bulk Bin Parts & Fasteners ■ Metal Stampings

Special Type Enclosures



21. Type 4 Stainless Steel
PLC Enclosures with Adjustable Stand



22. Type 4 Clamp-Cover
Enclosure



23. Type 12 JIC Enclosure
6 x 6 x 4

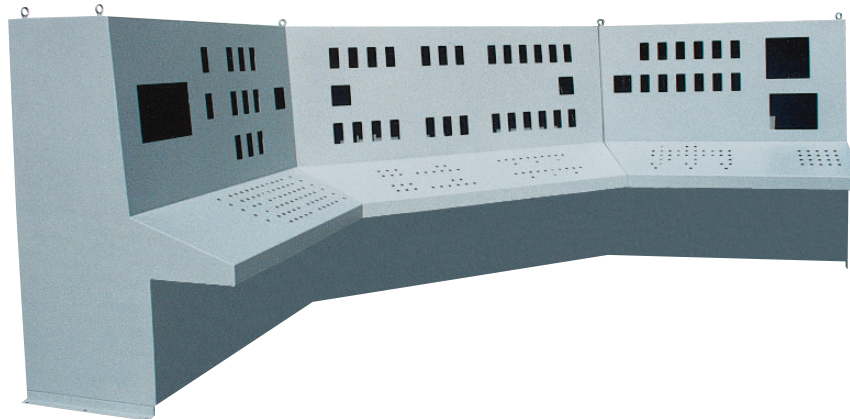
P.O. Box 547 ■ 1088 Montclare Drive ■ Ceres, CA 95307
209-538-3313 ■ 800-375-0091 ■ Fax 209-538-8638 ■ Website: www.gaylordmfg.com

Gaylord Manufacturing Co.

A Division of ENOVA Engineering LLC

Electrical Enclosures ■ Bulk Bin Parts & Fasteners ■ Metal Stampings

Special Type Enclosures



24. Three-Section Control Center



25. Type 12 - Three-Door Disconnect Enclosure
48 H x 144 W x 12 D

P.O. Box 547 ■ 1088 Montclare Drive ■ Ceres, CA 95307
209-538-3313 ■ 800-375-0091 ■ Fax 209-538-8638 ■ Website: www.gaylordmfg.com

List of Drawings

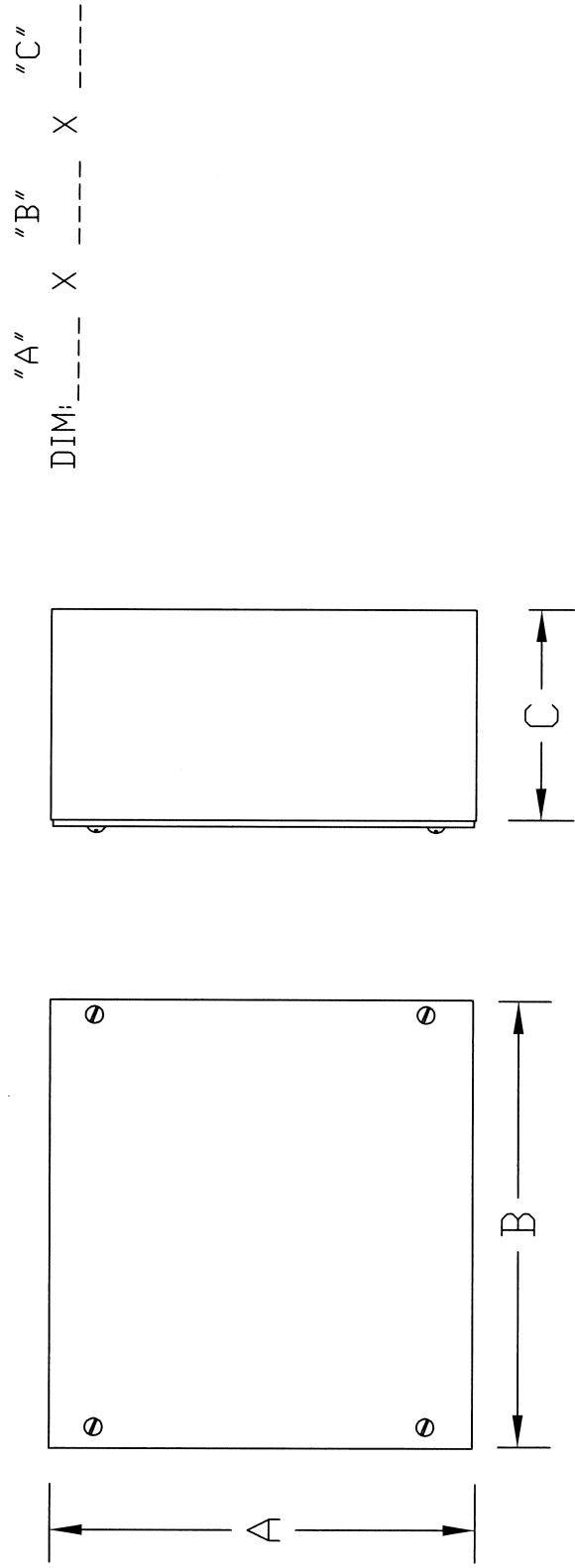
Gaylord Manufacturing Company manufactures many items not shown in this catalog.
We can also modify any item shown and we are not restricted to any size or
gauge shown. We welcome your drawings and specifications.
Please consult our design engineer for factory prices.
Fax drawings in the catalog to: 209-538-8638

Type 1 Screw-Cover Enclosure.....	1
Type 1 Large Screw-Cover Enclosure.....	2
Type 1 Hinge-Cover Enclosure.....	3
Type 1 Terminal Cabinet.....	4
Type 1 Two-Door Terminal Cabinet.....	5
Type 3R Screw-Cover Enclosure.....	6
Type 3R Large Screw-Cover Enclosure.....	7
Type 3R Screw-Cover Gutter.....	8
Type 3R Telephone Cabinet.....	9
Type 3R Hinge-Cover Enclosure.....	10
Type 3R Two-Door Wall-Mount Hinge-Cover Enclosure.....	11
Type 3R Free-Standing Single-Door Enclosure.....	12
Type 3R Free-Standing Double-Door Enclosure.....	13
Type 12 JIC Hinge-Cover Enclosure.....	14
Type 12 Enclosed Wiring Trough.....	15
Type 12 Single-Door Wall-Mount Enclosure.....	16
Type 12 Double-Door Wall-Mount Enclosure.....	17
Type 12 Two-Door Floor-Standing Enclosure.....	18
Type 12 Free-Standing Enclosure.....	19
Type 12 Free-Standing Two-Door Enclosure.....	20
Type 4 JIC Hinge-Cover Enclosure.....	21
Type 4 Enclosed Wiring Trough.....	22
Type 4 Single-Door Wall-Mount Enclosure.....	23
Type 4 Two-Door Wall-Mount Enclosure.....	24
Type 4 Two-Door Floor-Standing Enclosure.....	25
Type 4 Free-Standing Enclosure.....	26
Type 4 Free-Standing Two-Door Enclosure.....	27
Type 4X JIC Hinge-Cover Enclosure.....	28
Type 4X Enclosed Wiring Trough.....	29
Type 4X Single-Door Wall-Mount Enclosure.....	30
Type 4X Two-Door Wall-Mount Enclosure.....	31
Type 4X Two-Door Floor-Standing Enclosure.....	32
Type 4X Free-Standing Enclosure.....	33
Type 4X Free-Standing Two-Door Enclosure.....	34

To Use Drawings in the Catalog as a Request for Quote

- A. Remove drawing from catalog.
- B. Make a copy of the specified drawing.
- C. Return original to the catalog.
- D. Add your specifications for your order in the dimension blanks.
- E. Fax the drawing to us for your quote:
209-538-8638
or email us at: **quotes@gaylordmfg.com**

TYPE 1 SCREW COVER ENCLOSURE



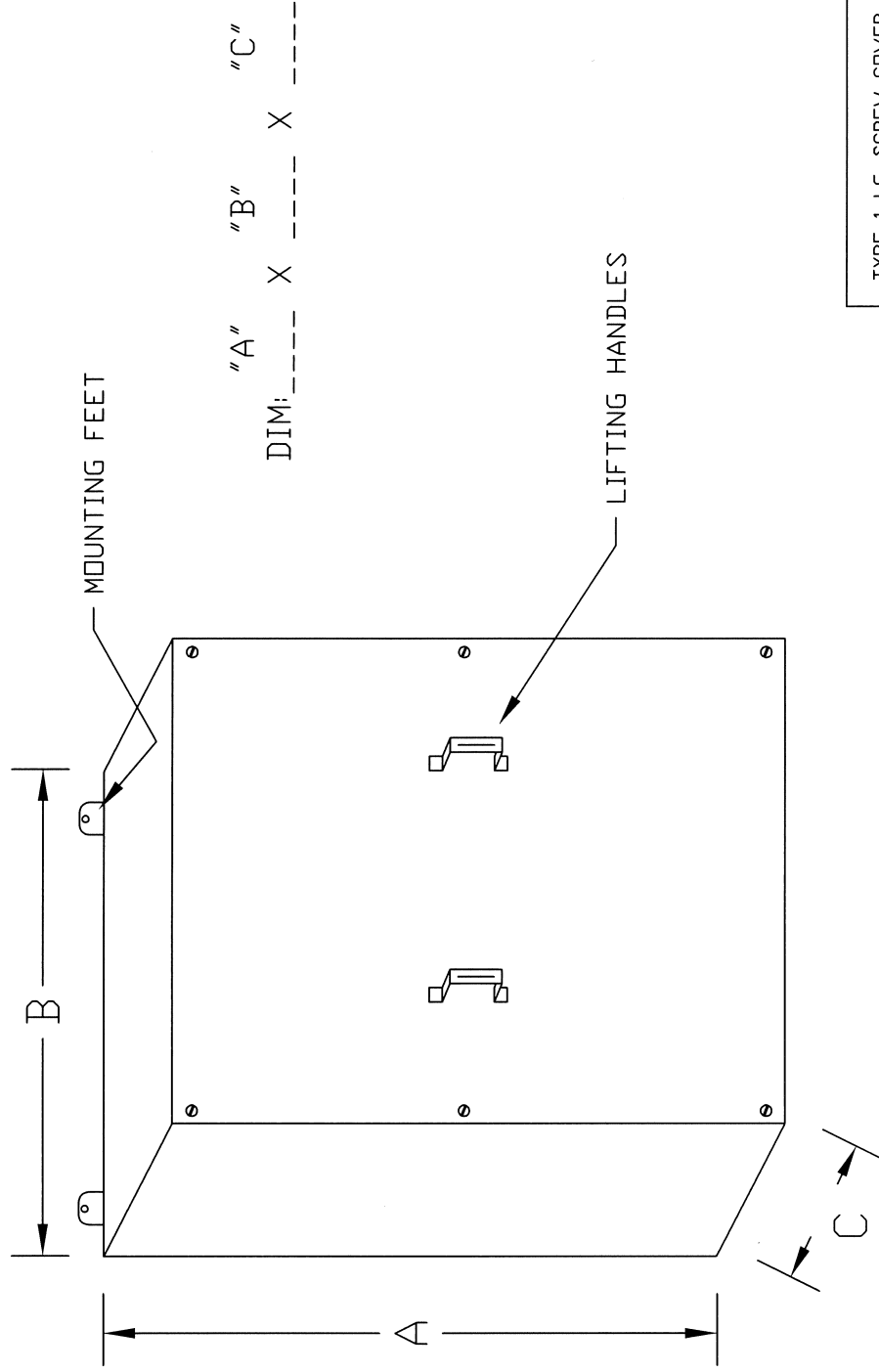
NOTES: MADE FROM CODE GAUGE SHEET STEEL
 SPOT WELD CONSTRUCTION
 ANSI 61 GREY
 MADE TO UL SPECS.

TYPE 1 SCREW COVER ENCL.

GAYLORD MFG. CO.
 PH. (209)538-3313
 FAX (209)538-8638

DRAWN BY KM	DWG. NO. NISC	SCALE NONE
CHKD BY. WL		DATE

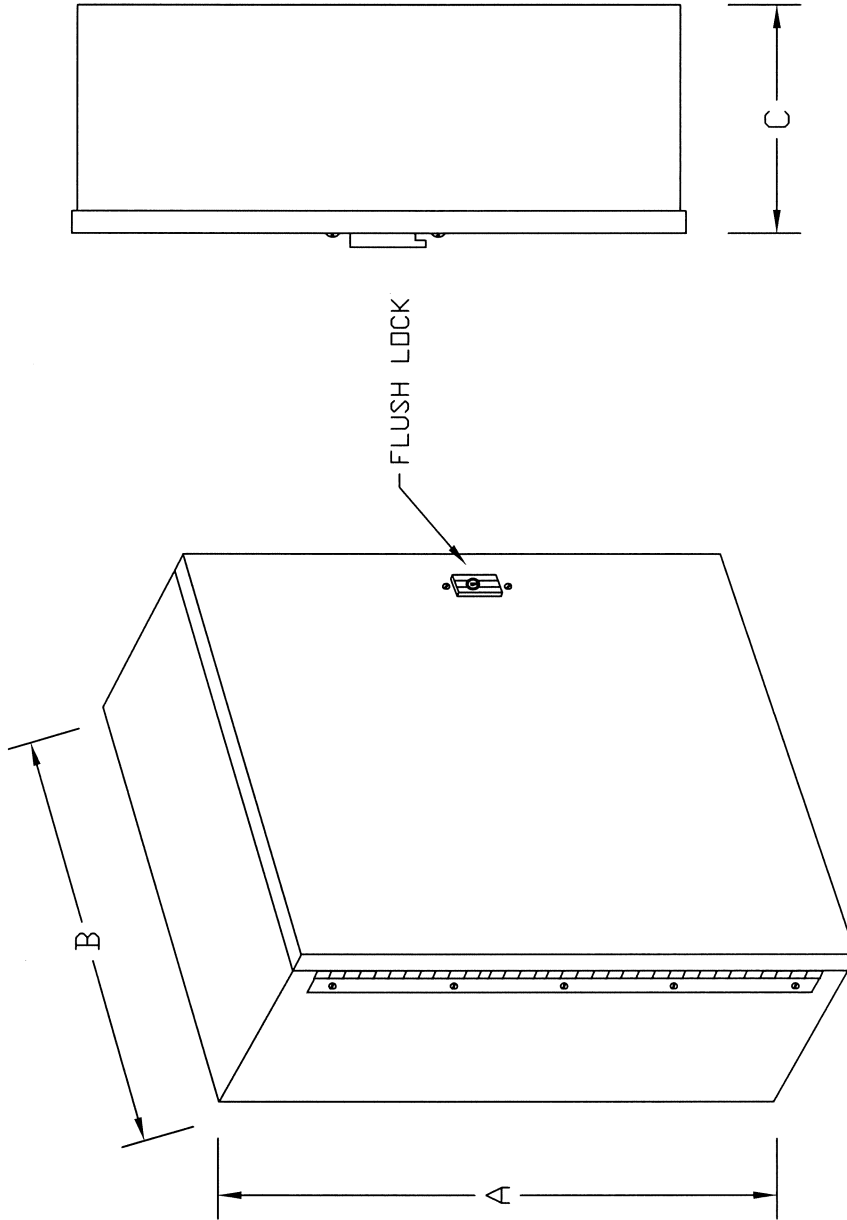
TYPE 1 LARGE SCREW COVER ENCLOSURE



NOTES: MADE FROM CODE GAUGE SHEET STEEL
 TACK WELD CONSTRUCTION
 ANSI 61 GREY
 MADE TO UL SPECS.

TYPE 1 LG. SCREW COVER ENCL.			
GAYLORD MFG. CO. PH. (209)538-3313 FAX (209)538-8638			
DRAWN BY KM	DWG. NO. NILSC	SCALE NONE	DATE
CHKD BY WL			

TYPE 1 HINGE COVER ENCLOSURE



DIM: "A" --- X "B" --- X "C" ---

TYPE OF HANDLE

FLUSH LOCK -----
 TEE HANDLE -----
 L HANDLE -----

MOUNTING PANEL

YES -----
 NO -----

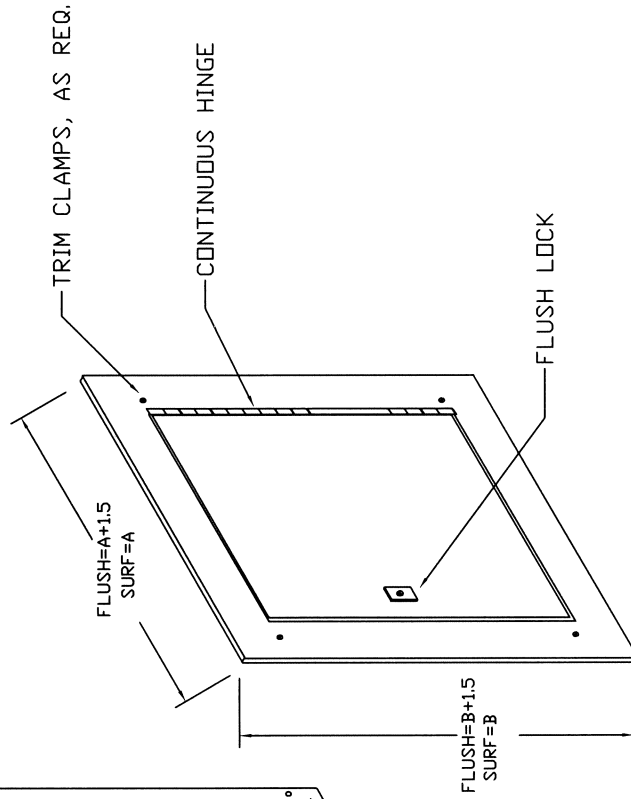
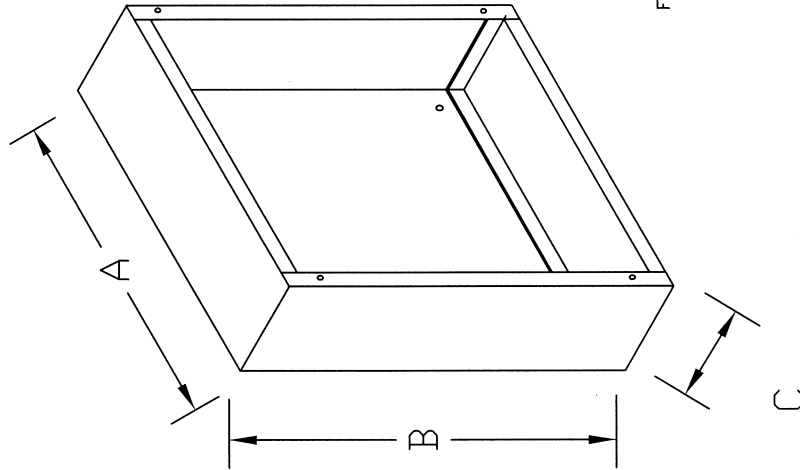
NOTE: ENCLOSURE BUILT TO UL SPECS.
 SHOE BOX TYPE COVER
 ANSI 61 GREY
 WITH CODE GAUGE SHEET MOUNTING PANEL PAINTED WHITE

TYPE 1 HINGE COVER

GAYLORD MFG. CO.
 PH. (209)538-3313
 FAX (209)538-8638

DRAWN BY KM	DWG. NO. HC1	SCALE NONE
CHKD BY WL		DATE

TYPE 1 TERMINAL CABINET



"A" X "B" X "C"
 DIM: --- X --- X ---

TYPE OF MOUNTING

FLUSH SURFACE

PLYWOOD PANEL

YES
 NO

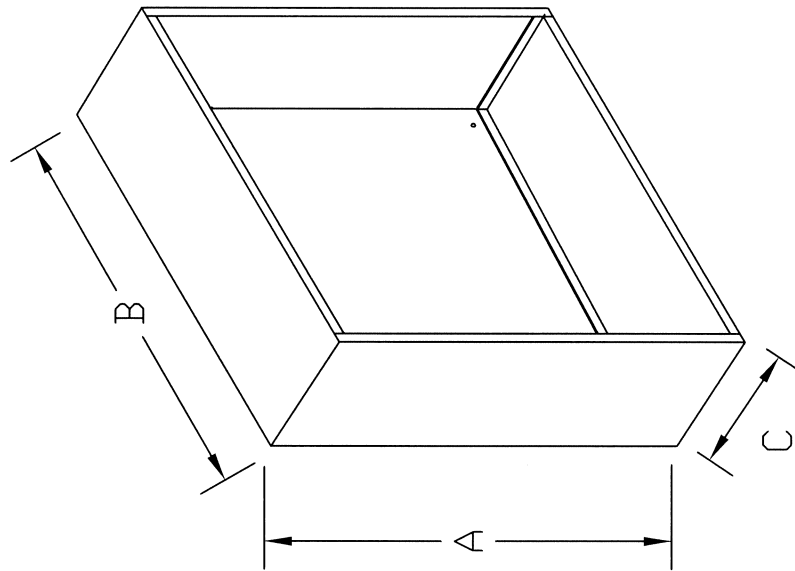
TYPE 1 TERMINAL CABINET

GAYLORD MFG. CO,
 PH. (209)538-3313
 FAX (209) 538-8638

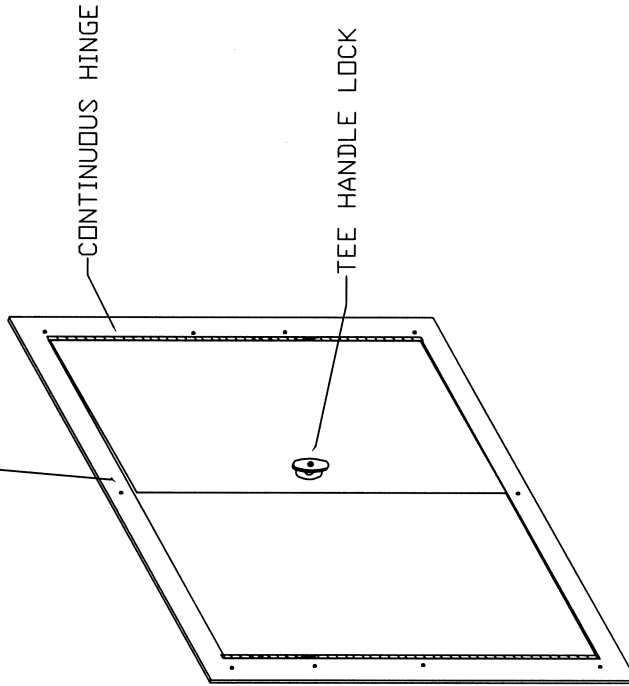
DRAWN BY KEITH	DWG. NO.	SCALE NONE
CHKD. BY VL	TCS - TCF	DATE

NOTES: ALL ITEMS MADE FROM UL CODE GAUGE STEEL
 ANSI 61 GREY

TYPE 1 TWO DOOR TERMINAL CABINET



COVER SCREWS & CLAMPS, AS REQ.



"A" "B" "C"
 DIM: --- X --- X ---

TYPE OF MOUNTING

FLUSH
 SURFACE-----

PLYWOOD PANEL

YES-----
 NO-----

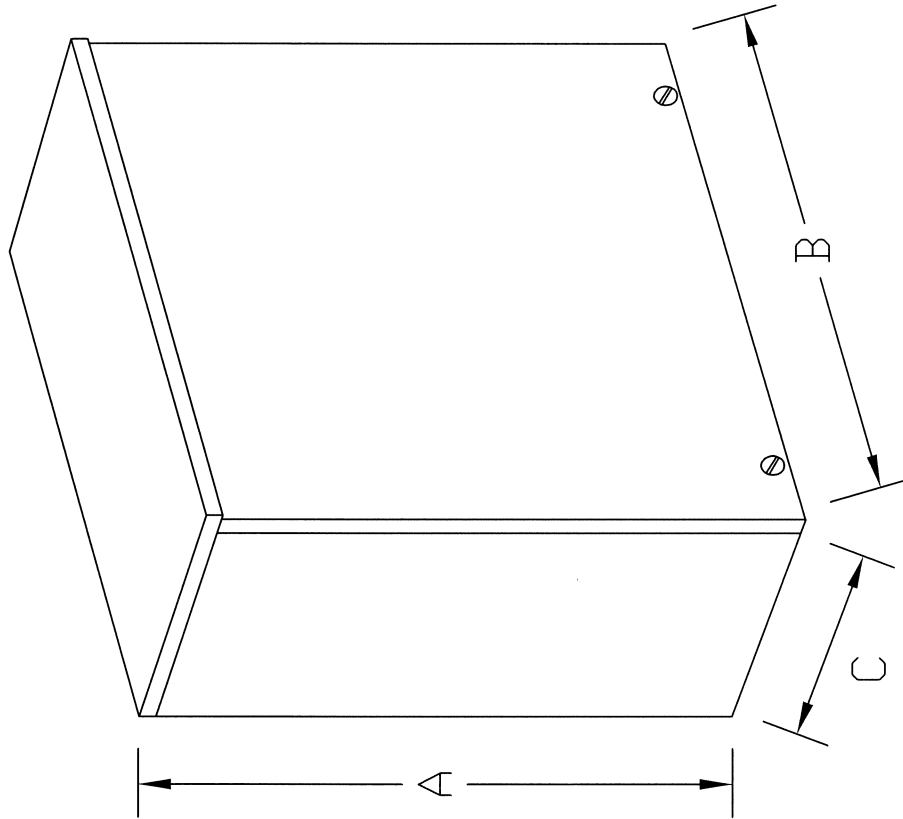
TYPE 1 TERMINAL CABINET

GAYLORD MFG. CO.
 PH. (209)538-3313
 FAX (209)538-8638

DRAWN BY KM	DWG. NO. TCS2D	SCALE NONE
	CHKD BY. WL	DATE

NOTES: ALL ITEMS MADE FROM UL CODE GAUGE STEEL
 ANSI 61 GREY

TYPE 3R SCREW COVER ENCLOSURE



"A" "B" "C"
 DIM: --- X --- X ---

MATERIAL

GALVANIZE _____
 304 STAINLESS STEEL _____
 316 STAINLESS STEEL _____

NOTES: MADE FROM CODE GAUGE STEEL STEEL
 ANSI 61 GREY, STAINLESS NO PAINT
 WITH EXTRUDED MOUNTING HOLES
 ENCLOSURE BUILT TO UL SPECS.

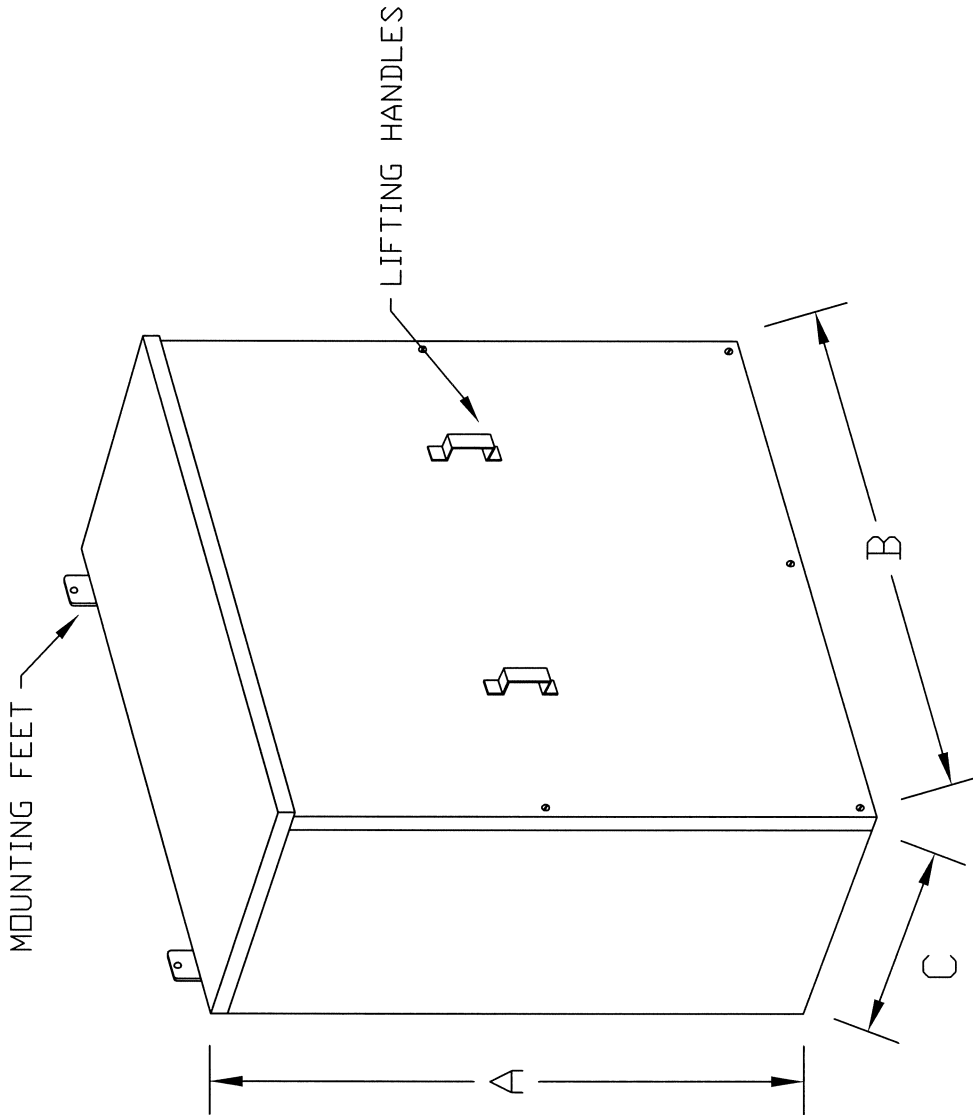
TYPE 3R SCREW COVER ENCL.			
GAYLORD MFG, CO. PH. (209)538-3313 FAX (209)538-8638			
DRAWN BY KM	DWG. NO. N3RSC	SCALE NONE	
CHKD BY WL		DATE	

TYPE 3R LARGE SCREW COVER ENCLOSURE

"A" "B" "C"
 DIM: --- X --- X ---

MATERIAL

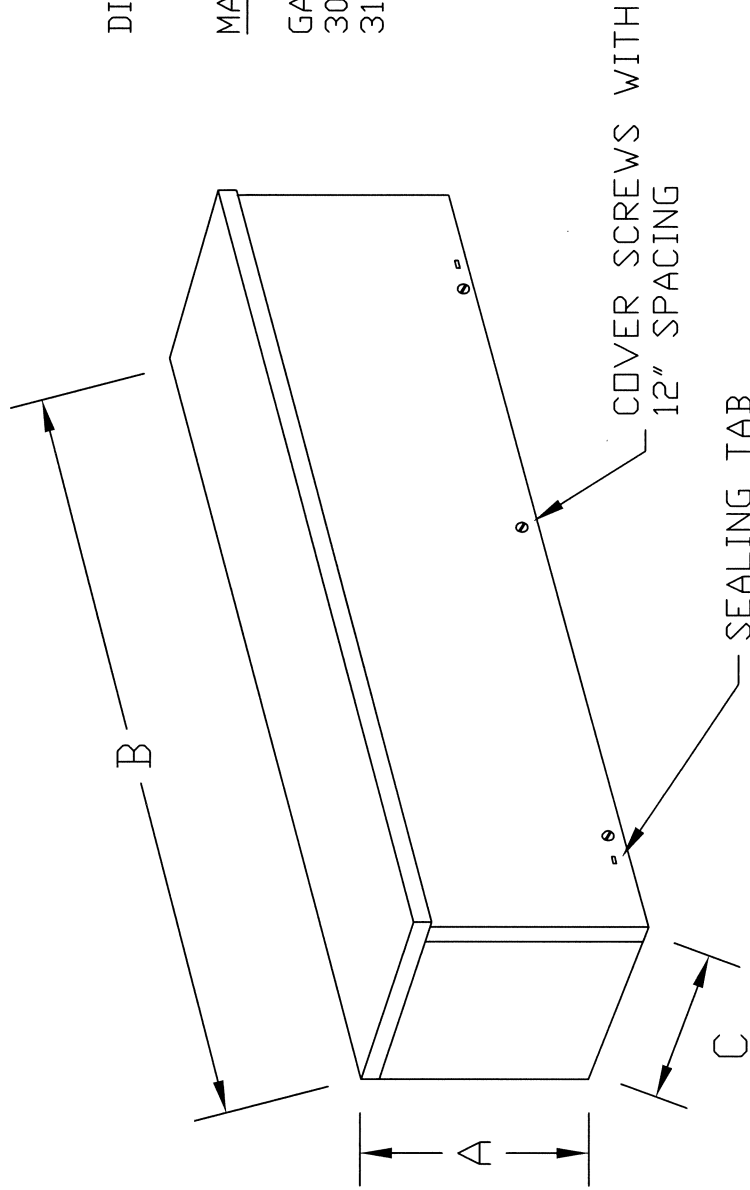
GALVANIZE ---
 304 STAINLESS STEEL ---
 316 STAINLESS STEEL ---



NOTES: MADE FROM CODE GAUGE STEEL
 ANSI 61 GREY, STAINLESS NO PAINT
 ENCLOSURE BUILT TO UL SPECS.

TYPE 3R SCREW COVER ENCL.			
GAYLORD MFG. CO. PH. (209)538-3313 FAX (209)538-8638			
DRAWN BY KM	DWG. NO. N3RLSC	SCALE NONE	
CHKD BY WL		DATE	

TYPE 3R SCREW COVER GUTTER



"A" "B" "C"
 DIM: --- X --- X ---

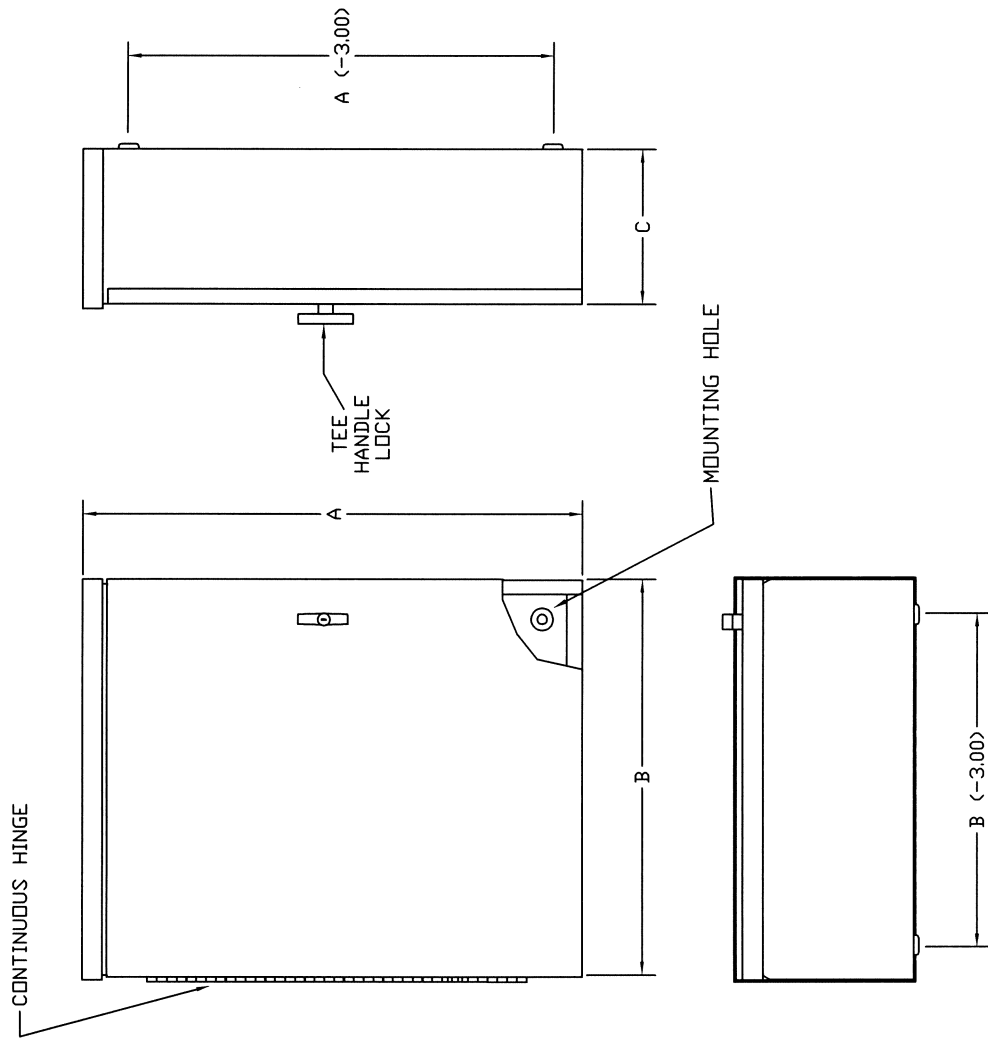
MATERIAL

GALVANIZE
 304 STAINLESS STEEL
 316 STAINLESS STEEL

NOTES: MADE FROM CODE GAUGE SHEET STEEL
 ENCLOSURE TO BE SPOT WELD CONSTRUCTION
 ANSI 61 GREY, STAINLESS NO PAINT

TYPE 3R SC GUTTER			
GAYLORD MFG. CO. PH. (209)538-3313 FAX (209)538-8638			
DRAWN BY KM	DWG. NO.	SCALE NONE	DATE
CHKD BY VL	RTSCGUT		

TYPE 3R TELEPHONE CABINET



DIM: "A" X "B" X "C"
 DIM: X X X

MATERIAL

GALVANIZE STEEL
 304 STAINLESS STEEL
 316 STAINLESS STEEL

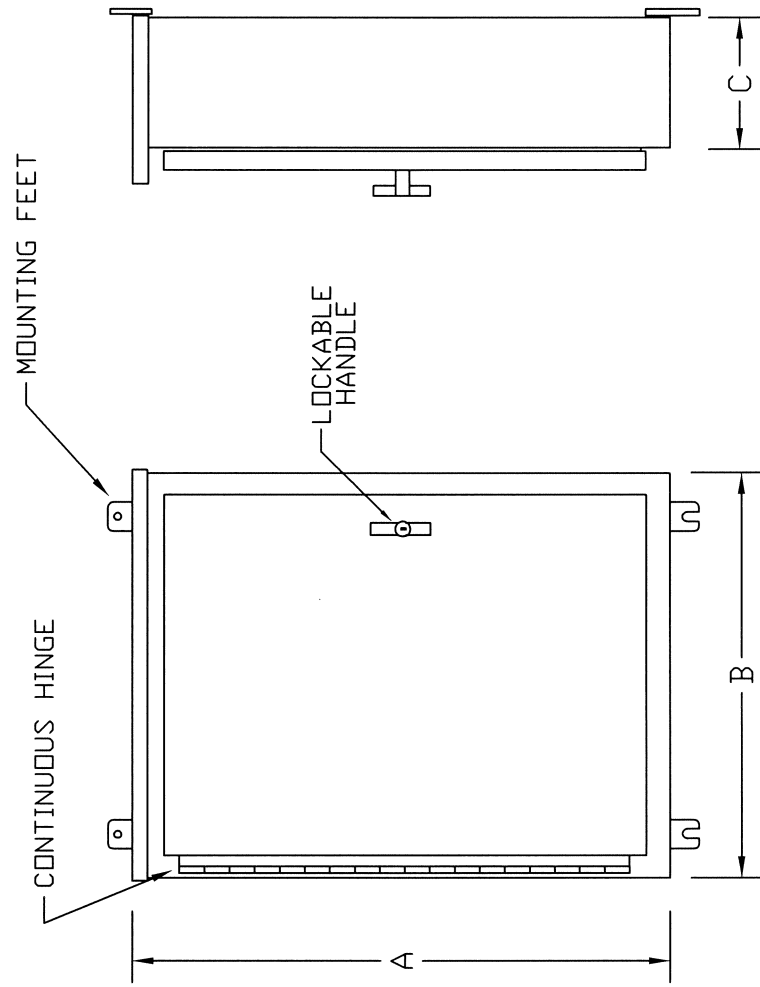
MOUNTING PANEL

METAL
 PLYWOOD
 NONE

TYPE 3R TELEPHONE CABINET			
GAYLORD MFG, CO. PH. (209)538-3313 FAX (209)538-8638			
DRAWN BY KM	DWG. NO. N3RTC	SCALE NONE	
CHKD BY. WL		DATE	

NOTES: MADE FROM UL CODE GAUGE GALVANIZE SHEET STEEL
 ANSI 61 GREY, STAINLESS NO PAINT
 ENCLOSURE BUILT TO UL SPECS.

TYPE 3R HINGE COVER ENCLOSURE



"A" "B" "C"
 DIM: --- X --- X ---

MATERIAL

GALVANIZE STEEL-----
 304 STAINLESS STEEL-----
 316 STAINLESS STEEL-----

MOUNTING PANEL

METAL-----
 PLYWOOD-----
 NONE-----

TYPE OF HANDLE

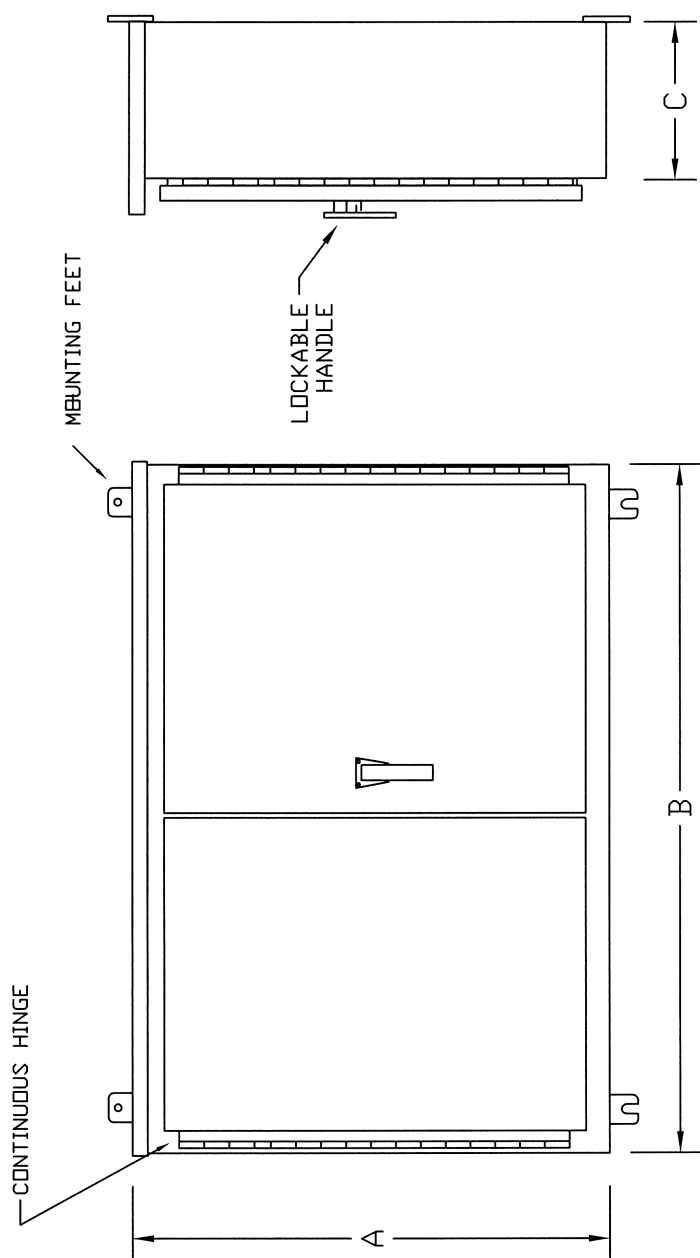
TEE HANDLE-----
 LOCKING L HANDLE-----
 PADLOCKABLE HANDLE-----

TYPE 3R HINGE COVER ENCL.			
GAYLORD MFG. CO. PH. (209)538-3313 FAX (209)538-8638			
DRAWN BY KM	DWG. NO. N3RHC	SCALE NONE	DATE
CHKD BY. TL			

NOTES: ENCLOSURE CODE GAUGE GALVANIZE SHEET STEEL
 ANSI 61 GREY, STAINLESS NO PAINT
 ENCLOSURE BUILT TO UL SPECS.

TYPE 3R TWO DOOR WALL MOUNT HINGE COVER ENCLOSURE

"A" X "B" X "C"
 DIM: X X X



MATERIAL
 GALVANIZE STEEL
 304 STAINLESS STEEL
 316 STAINLESS STEEL

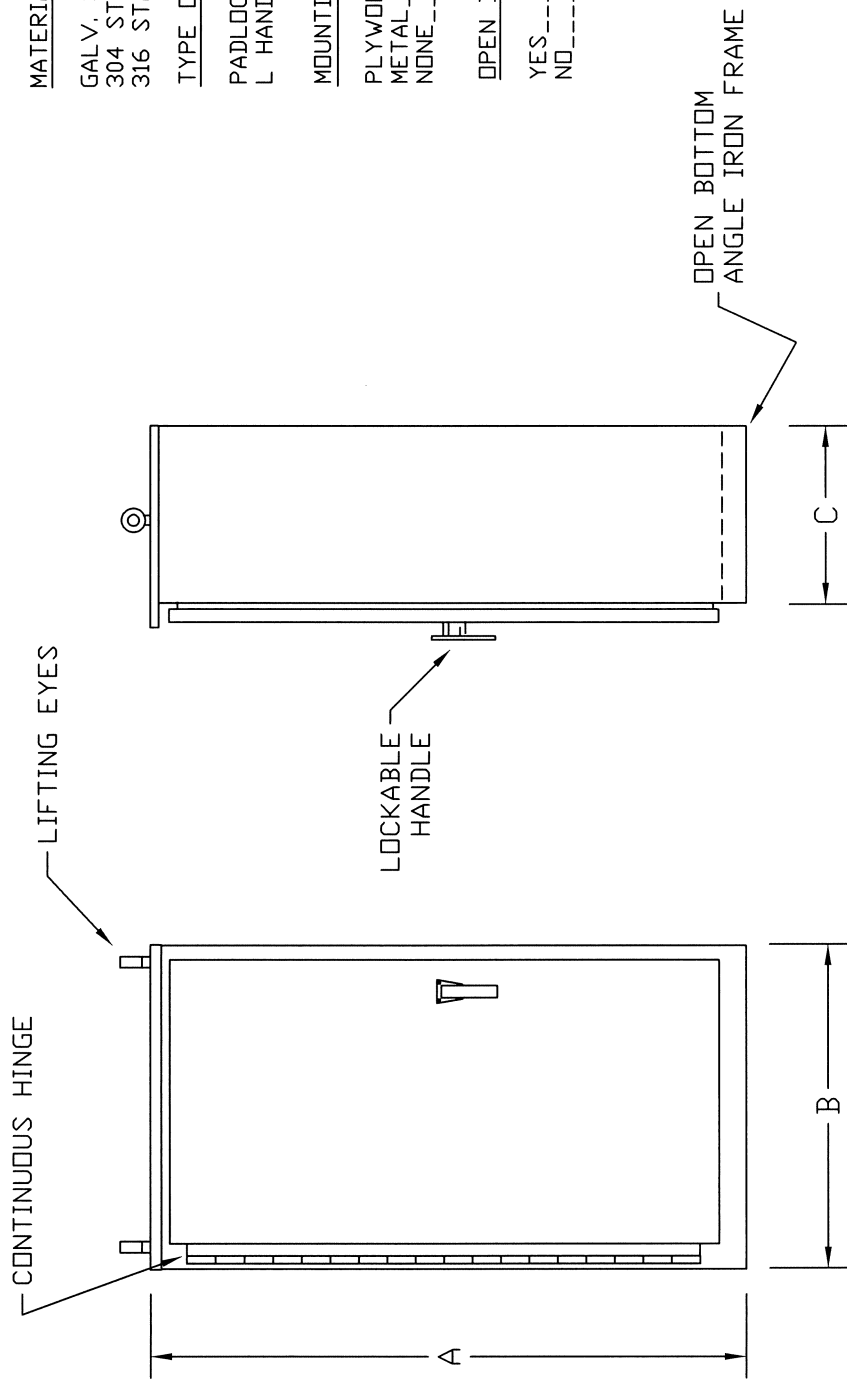
MOUNTING PANEL
 METAL
 PLYWOOD
 NONE

TYPE OF HANDLE
 TEE HANDLE
 LOCKING L HANDLE
 PADLOCKABLE HANDLE

NOTES: ENCLOSURE CODE GAUGE GALVANIZED SHEET STEEL
 ANSI61 GREY, STAINLESS NO PAINT
 DOUBLE DOOR , 3 POINT LOCKABLE HANDLE
 ENCLOSURE BUILT TO UL SPECS.

TYPE 3R TWO DOOR WALL MOUNT			
GAYLORD MFG. CO. PH (209)538-3313 FAX (209)538-8638			
DRAWN BY KM	DWG. NO. N3RWM2D	SCALE NONE	DATE
CHKD BY. WL			

TYPE 3R FREE STANDING SINGLE DOOR ENCLOSURE



DIM: "A" X "B" X "C"
 DIM: X X X

MATERIAL:
 GALV. STEEL _____
 304 STAINLESS STEEL _____
 316 STAINLESS STEEL _____

TYPE OF HANDLES
 PADLOCKABLE HANDLE _____
 L HANDLE _____

MOUNTING PANEL
 PLYWOOD _____
 METAL _____
 NONE _____

OPEN BOTTOM
 YES _____
 NO _____

TYPE 3R FREE STANDING			
GAYLORD MFG. CO.			
PH. (209)538-3313			
FAX (209)538-8638			
DRAWN BY	DWG. NO.	SCALE	DATE
KM	N3RFS	NONE	
CHKD BY:	VL		

NOTES: ENCLOSURE 12 GAUGE GALVANIZED SHEET STEEL
 ANSI 61 GREY, STAINLESS NO PAINT
 ENCLOSURE BUILT TO UL SPECS.

TYPE 3R FREE STANDING DOUBLE DOOR ENCLOSURE

DIM: "A" X "B" X "C"
 DIM: X X X

MATERIAL:

GALV. STEEL
 304 STAINLESS STEEL
 316 STAINLESS STEEL

TYPE OF HANDLES

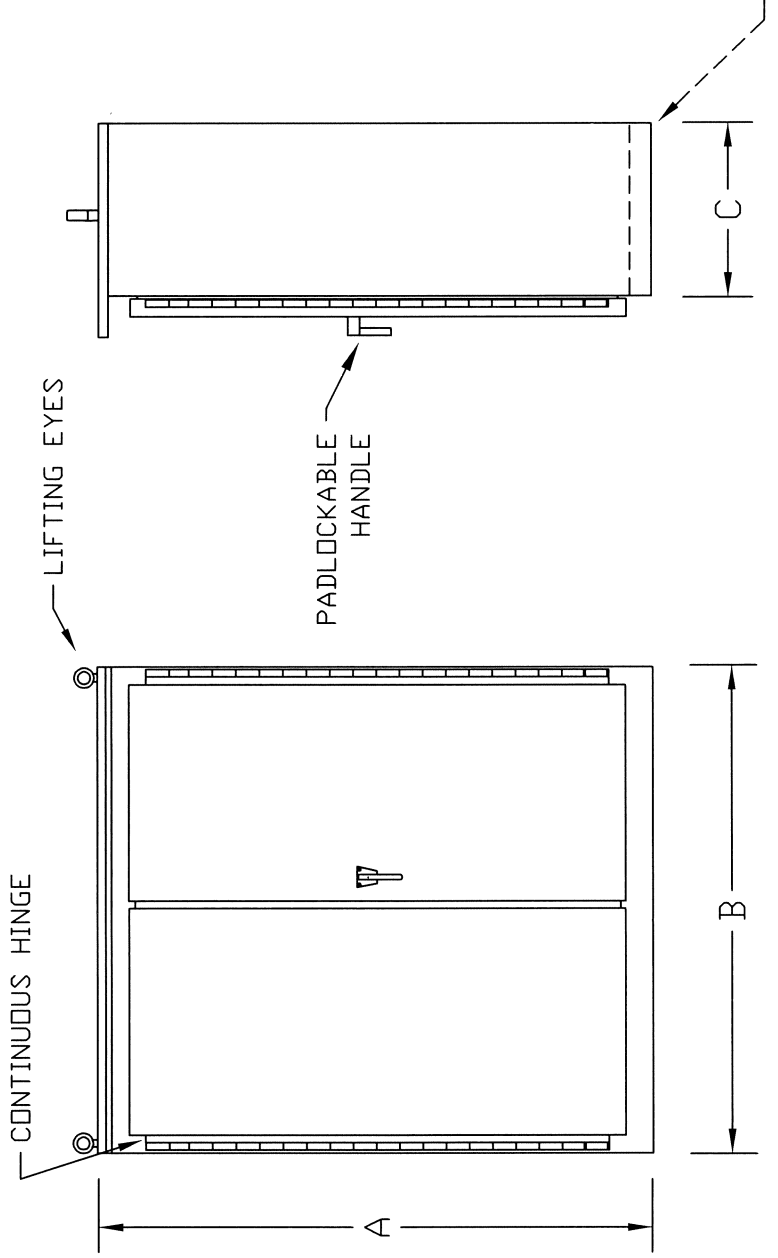
PADLOCKABLE HANDLE
 L HANDLE

MOUNTING PANEL

PLYWOOD
 METAL
 NONE

OPEN BOTTOM

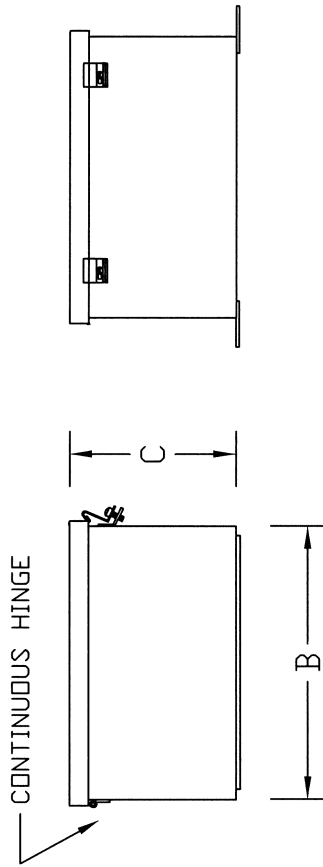
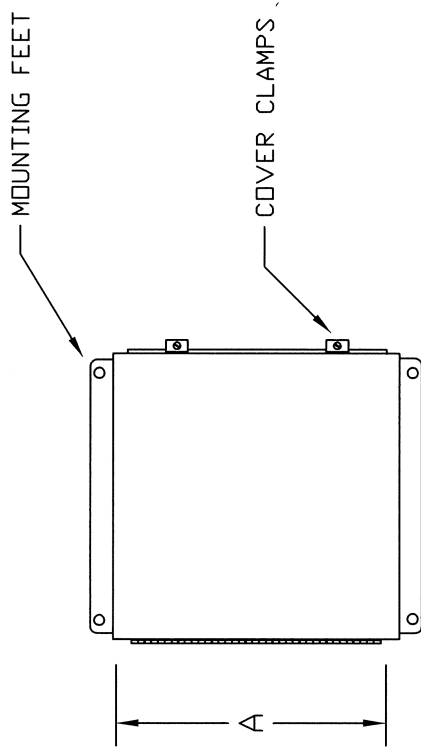
YES
 NO



NOTES: MADE FROM 12 GAUGE SHEET STEEL
 OVERLAPPING DOORS AND 3 POINT LOCKABLE HANDLE,
 ANSI 61 GREY
 ENCLOSURE MADE TO UL SPECS.

TYPE 3R FREE STANDING			
GAYLORD MFG. CO.			
PH. (209)538-3313			
FAX (209)538-8638			
DRAWN BY	DWG. NO.	SCALE	DATE
KM	N3RFSDD	NONE	
CHKD BY.			
VL			

TYPE 12 JIC HINGE COVER ENCLOSURE



DIM: "A" X "B" X "C"
 DIM: X X X

MATERIAL

STEEL
 304 STAINLESS
 316 STAINLESS

MOUNTING PANEL

YES
 NO

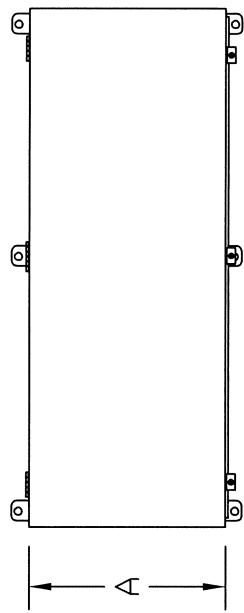
TYPE 12 JIC

GAYLORD MFG, CO,
 PH. (209)538-3313
 FAX (209)538-8638

DRAWN BY KM	DWG. NO. N12-JIC	SCALE NONE	DATE
CHKD BY. WL			

NOTES: MADE FROM 14 GAUGE SHEET STEEL
 COVER TO HAVE CONTINUOUS HINGE, EXTERNAL COVER CLAMPS
 ANSI 61 GREY, STAINLESS NO PAINT
 ENCLOSURE MADE TO UL SPECS.

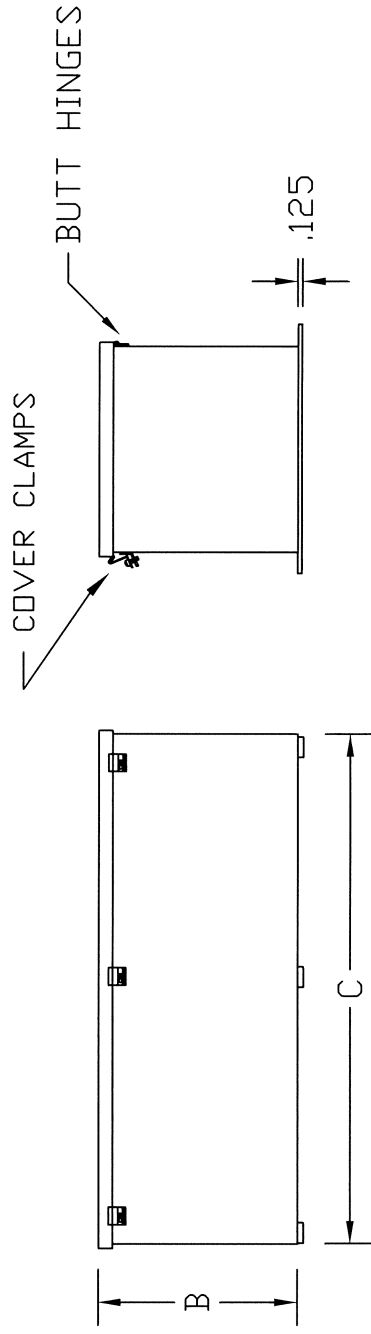
TYPE 12 ENCLOSED WIRING TROUGH



OMIT MIDDLE MOUNTING FOOT
IF C = LESS THAN 30.0

DIM: 'A' X 'B' X 'C'
----- X ----- X -----

MATERIAL
STEEL
304 STAINLESS
316 STAINLESS



NOTES: MADE FROM 14 GAUGE SHEET STEEL
WELDED SEAMS, GASKETED COVER
WITH EXTERNAL COVER CLAMPS, BUTT HINGES
ANSI 61 GREY, STAINLESS NO PAINT
ENCLOSURE MADE TO UL SPECS.

TYPE 12 WIRING TROUGH			
GAYLORD MFG. CO.			
PH. (209)538-3313			
FAX (209)538-8638			
DRAWN BY KM	DWG. NO. N12WT	SCALE NONE	DATE
CHKD BY. WL			

TYPE 12 SINGLE DOOR WALL MOUNT ENCLOSURE

DIM: "A" X "B" X "C"
 DIM: X X X

MATERIAL

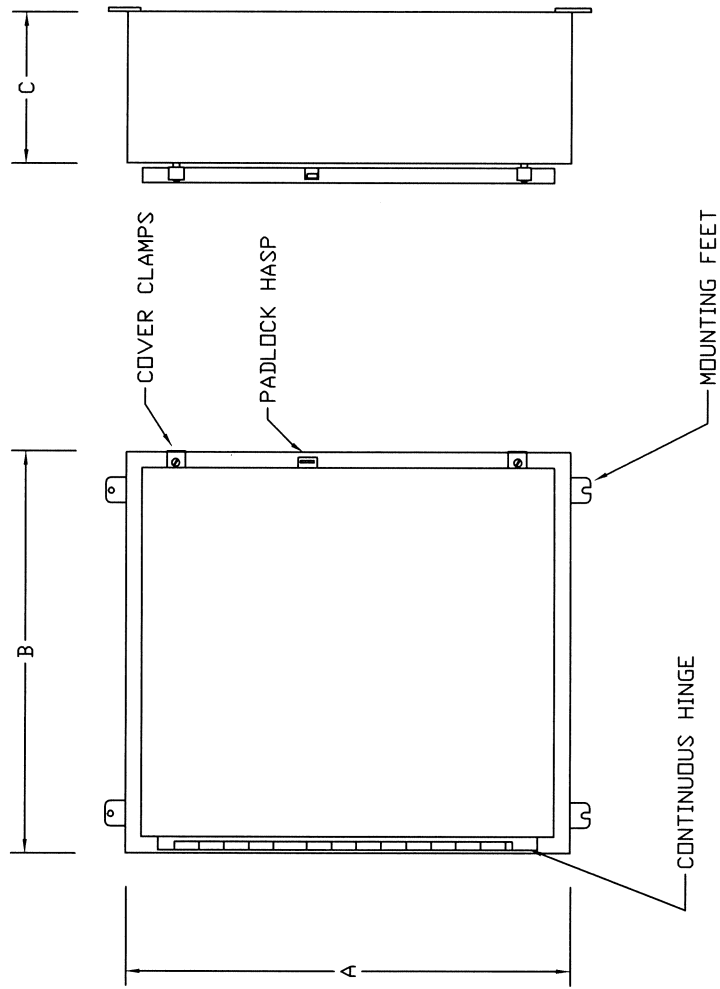
STEEL
 304 STAINLESS
 316 STAINLESS

TYPE OF LATCHING SYSTEM

CLAMP & HASP
 3 POINT LOCKING L HANDLE
 3 POINT PADLOCKABLE HANDLE

MOUNTING PANEL

YES
 NO



TYPE 12 HINGE COVER

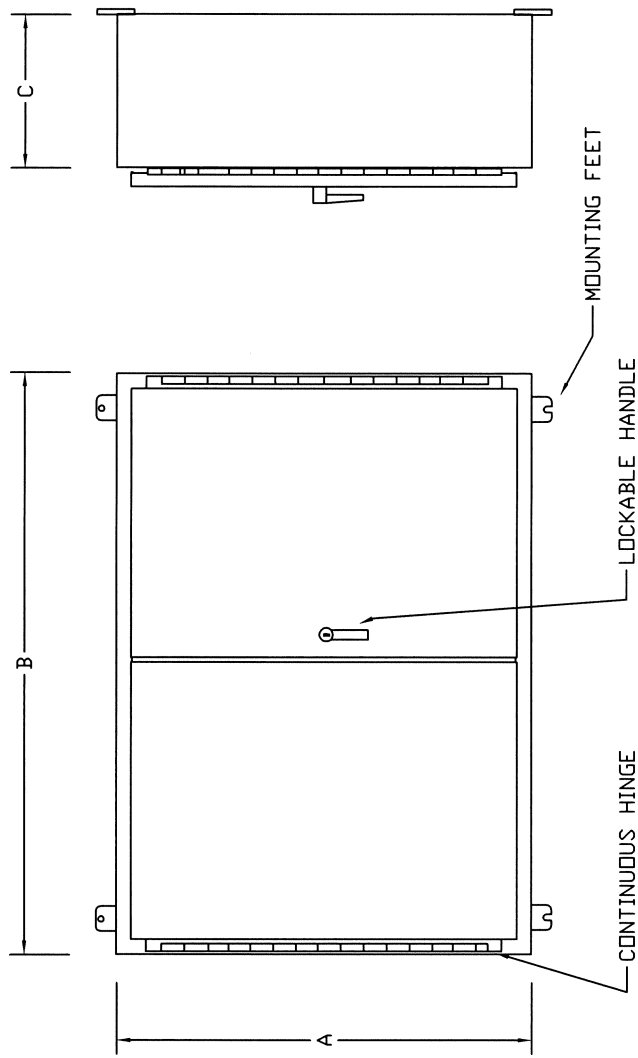
GAYLORD MFG. CO.
 PH (209)538-3313
 FAX (209)538-8638

DRAWN BY KM	DWG. NO. N12HC	SCALE NONE
CHKD BY. WL		DATE

NOTES: MADE FROM CODE GAUGE SHEET STEEL
 ANSI 61 GREY, STAINLESS NO PAINT
 SINGLE DOOR UP TO 42" WIDE
 ENCLOSURE BUILT TO UL SPECS.

TYPE 12 DOUBLE DOOR WALL MOUNT ENCLOSURE

DIM: "A" X "B" X "C"
 _____ X _____ X _____



MATERIAL

STEEL _____
 304 STAINLESS _____
 316 STAINLESS _____

TYPE OF HANDLES

TEE HANDLE _____
 L HANDLE _____
 PADLOCKABLE HANDLE _____

MOUNTING PANEL

YES _____
 NO _____

TYPE 12 DOUBLE DOOR

GAYLORD MFG. CO.
 PH. (209)538-3313
 FAX (209)538-8638

DRAWN BY KM	DWG. NO. N12HCDD	SCALE NONE
CHKD BY. WL		DATE

NOTES: MADE FROM 14 GAUGE OR 12 GAUGE SHEET STEEL
 OVERLAPPING DOUBLE DOORS & LOCKABLE HANDLE
 ANSI 61 GREY, STAINLESS NO PAINT
 ENCLOSURE BUILT TO UL SPECS.

TYPE 12 TWO DOOR FLOOR STANDING ENCLOSURE

"A" X "B" "C"
 DIM: X X X

MATERIAL

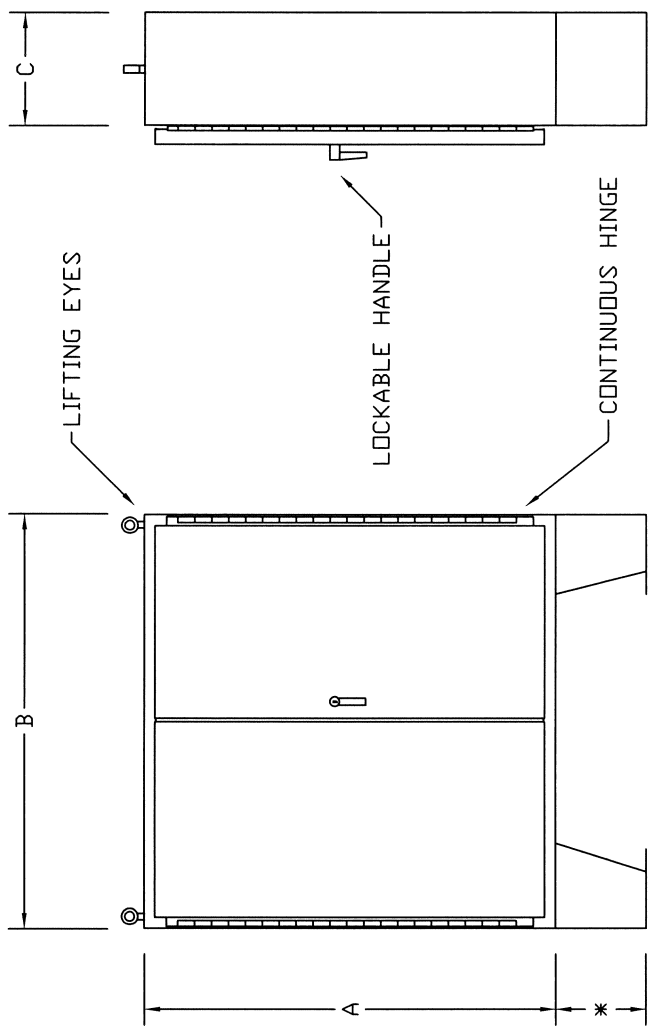
STEEL _____
 304 STAINLESS _____
 316 STAINLESS _____

TYPE OF HANDLES

LOCKING L HANDLE _____
 PADLOCKABLE HANDLE _____

MOUNTING PANEL

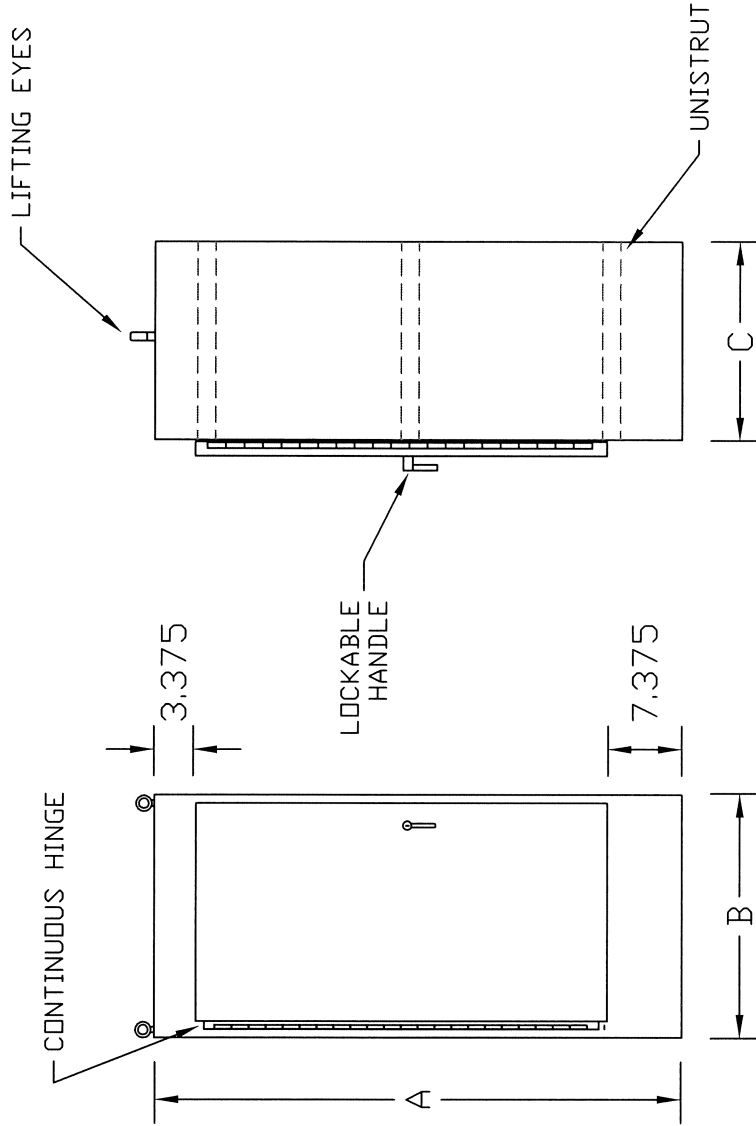
YES _____
 NO _____



NOTES: MADE FROM 12 GAUGE SHEET STEEL
 OVERLAPPING DOORS, CONTINUOUS HINGE
 3 POINT LOCKING HANDLE WITH ROLLER LOCKING BARS,
 ANSI 61 GREY, STAINLESS NO PAINT
 ENCLOSURE BUILT TO UL SPECS.
 * FLOOR STANDS WILL BE 12" HIGH UNLESS OTHERWISE NOTIFIED

TYPE 12 FLOOR STANDING			
GAYLORD MFG. CO. PH. (209)538-3313 FAX (209)538-8638			
DRAWN BY KM	DWG. NO. N12FLDD	SCALE NONE	DATE
CHKD BY VL			

TYPE 12 FREE STANDING ENCLOSURE



DIM: "A" X "B" X "C"
 X X X

MATERIAL

STEEL
 304 STAINLESS
 316 STAINLESS

TYPE OF HANDLES

LOCKING L HANDLE
 PADLOCKABLE HANDLE

MOUNTING PANEL

YES
 NO

TYPE 12 FREE STANDING

GAYLORD MFG. CO.
 PH. (209)538-3313
 FAX (209)538-8638

DRAWN BY KM	DWG. NO. N12FSD	SCALE NONE	DATE
CHKD BY WL			

NOTES: MADE FROM 12 GAUGE SHEET STEEL
 OVERLAPPING DOORS WITH 3 POINT LOCKABLE HANDLE
 ANSI 61 GREY, STAINLESS NO PAINT
 ENCLOSURE MADE TO UL SPECS.

TYPE 12 FREE STANDING TWO DOOR ENCLOSURE

DIM: 'A' X 'B' X 'C'

MATERIAL

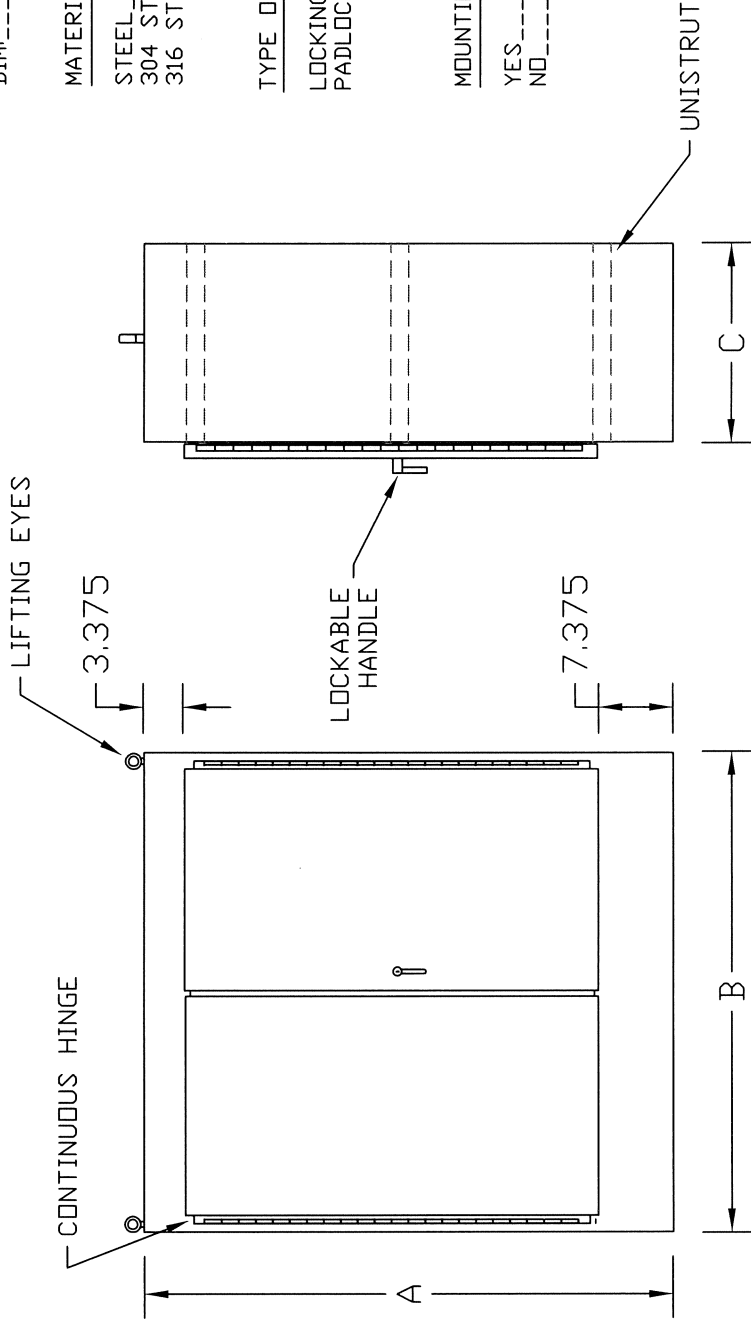
STEEL
304 STAINLESS
316 STAINLESS

TYPE OF HANDLES

LOCKING L HANDLE
PADLOCKABLE HANDLE

MOUNTING PANEL

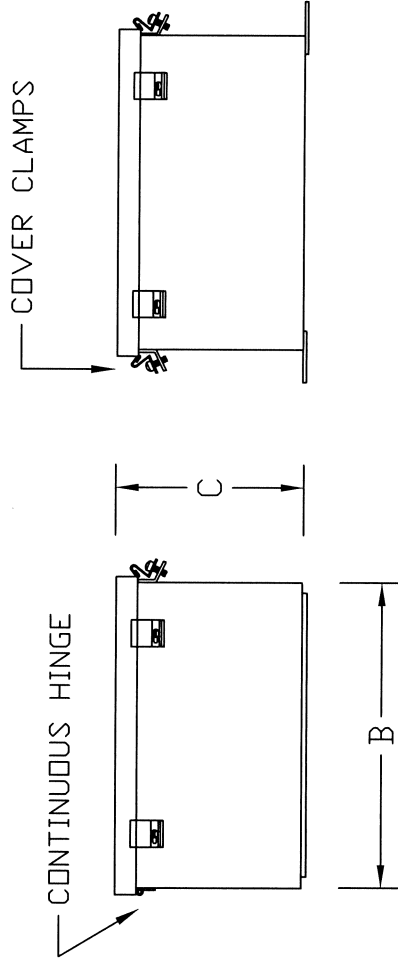
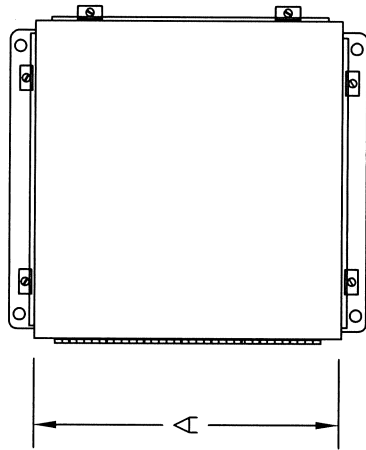
YES
NO



TYPE 12 FREE STANDING			
GAYLORD MFG. CO. PH. (209)538-3313 FAX (209)538-8638			
DRAWN BY KM	DWG. NO. N12FSDD	SCALE NONE	DATE
CHKD BY. WL			

NOTES: BACK MADE FROM 10 GAUGE STEEL, SIDES, ENDS COVER 12 GAUGE STEEL
OVERLAPPING DOORS WITH 3 POINT LOCKABLE HANDLE
ANSI 61 GREY, STAINLESS NO PAINT
ENCLOSURE MADE TO UL SPECS.

TYPE 4 JIC HINGE COVER ENCLOSURE



"A" "B" "C"
 DIM: --- X --- X ---

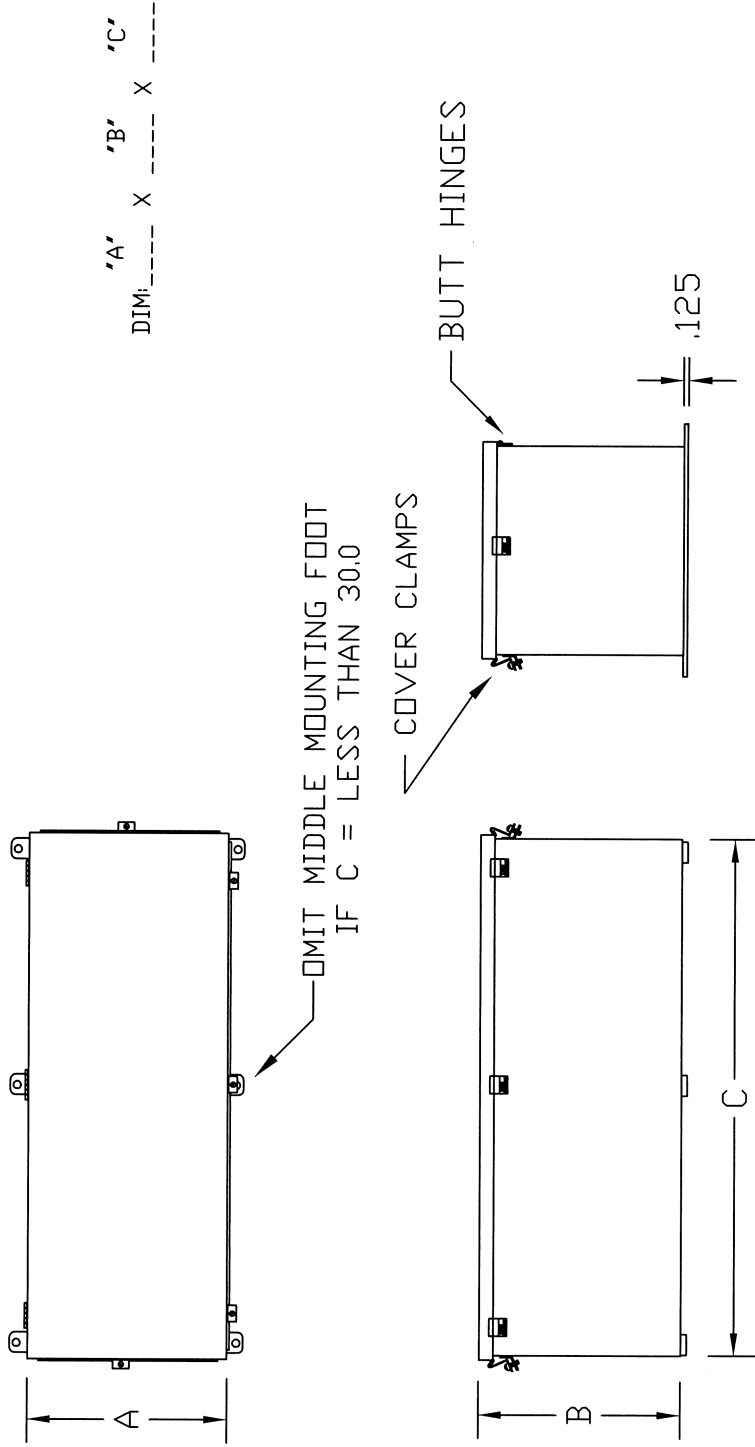
MOUNTING PANEL

YES _____
 NO _____

NOTES: MADE FROM 14GA. SHEET STEEL
 COVER TO HAVE CONTINUOUS HINGE, EXTERNAL COVER CLAMPS
 ANSI 61 GREY
 ENCLOSURE MADE TO UL SPECS.

TYPE 4 JIC			
GAYLORD MFG. CO. PH. (209)538-3313 FAX (209)538-8638			
DRAWN BY KM	DWG. NO. N4-JIC	SCALE NONE	DATE
CHKD BY. VL			

TYPE 4 ENCLOSED WIRING TROUGH



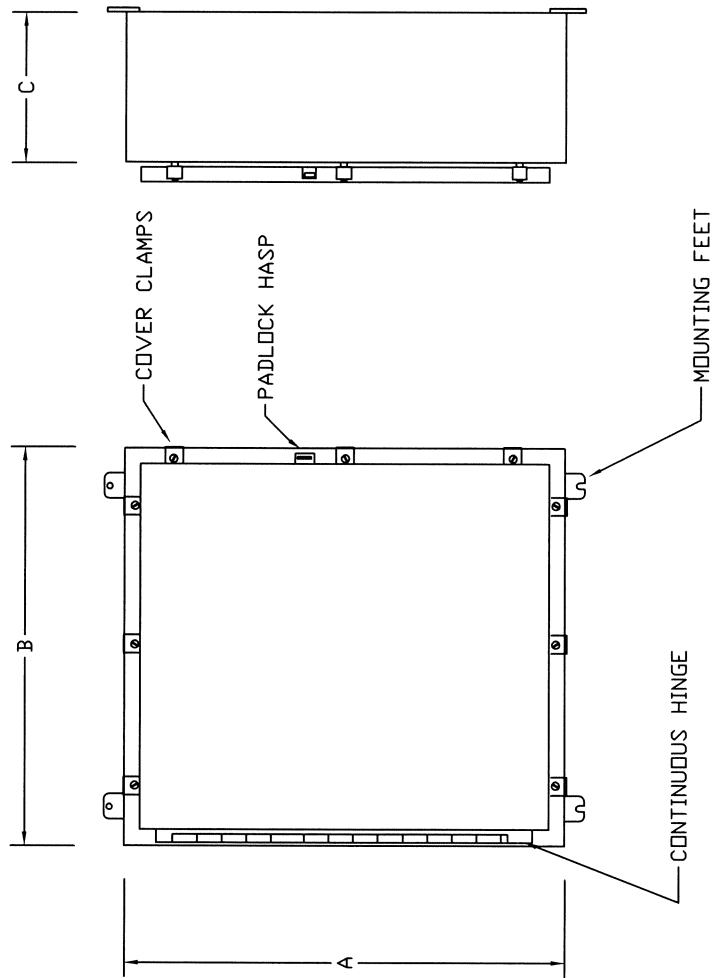
NOTES: MADE FROM 14 GAUGE SHEET STEEL
 WELDED SEAMS, GASKETED COVER
 WITH EXTERNAL COVER CLAMPS, BUTT HINGES
 ANSI 61 GREY
 ENCLOSURE MADE TO UL SPECS.

TYPE 4 WIRING TROUGH

GAYLORD MFG. CO.
 PH. (209)538-3313
 FAX (209)538-8638

DRAWN BY KM	DWG. NO. N4WT	SCALE NONE
CHKD BY. WL		DATE

TYPE 4 SINGLE DOOR
WALL MOUNT
ENCLOSURE



COVER TO HAVE COVER CLAMPS

DIM: "A" X "B" X "C"
----- X ----- X -----

MOUNTING PANEL

YES -----
NO -----

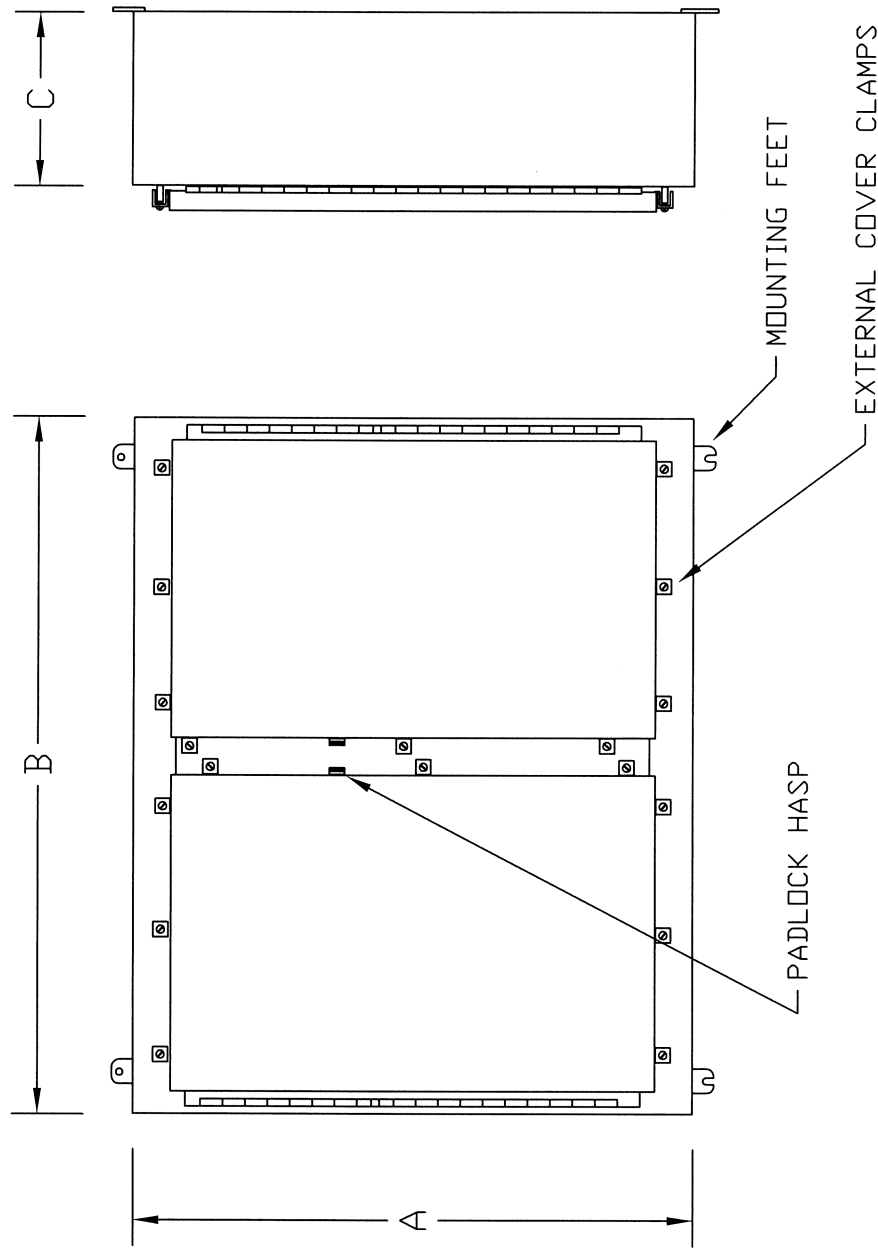
TYPE 4 HINGE COVER

GAYLORD MFG. CO.
PH: (209)538-3313
FAX: (209)538-8638

DRAWN BY KM	DWG. NO. N4HC	SCALE NONE
CHKD BY. VL		DATE

NOTES: MADE FROM 14GAUGE SHEET STEEL
ANSI 61 GREY
SINGLE DOOR UP TO 42" WIDE
ENCLOSURE BUILT TO UL SPECS.

TYPE 4 TWO DOOR WALL MOUNT ENCLOSURE

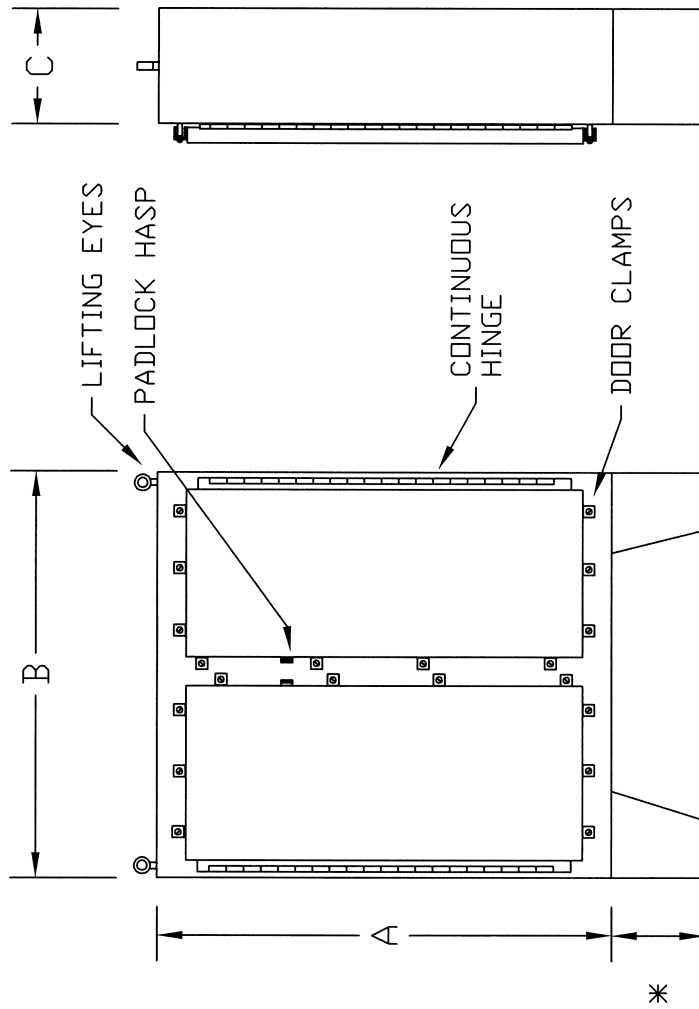


DIM: "A" --- X "B" --- X "C" --- X
MOUNTING PANEL
 YES ---
 NO ---

TYPE 4 WALL MOUNT			
GAYLORD MFG. CO. PH. (209)538-3313 FAX (209)538-8638			
DRAWN BY KM	DWG. NO. N4HCDD	SCALE NONE	DATE
CHKD BY WL			

NOTES: MADE FROM CODE GAUGE SHEET STEEL
 DOORS TO HAVE CONTINUOUS HINGE, DOOR CLAMPS, PADLOCK HASP,
 REMOVABLE CENTER POST, EXTERNAL MOUNTING FEET
 ANSI 61 GREY
 ENCLOSURE BUILT TO UL SPECS.

TYPE 4 TWO DOOR FLOOR STANDING ENCLOSURE



"A" --- X --- "B" --- X --- "C" ---
 DIM: --- X --- X --- X ---

MOUNTING PANEL

YES ---
 NO ---

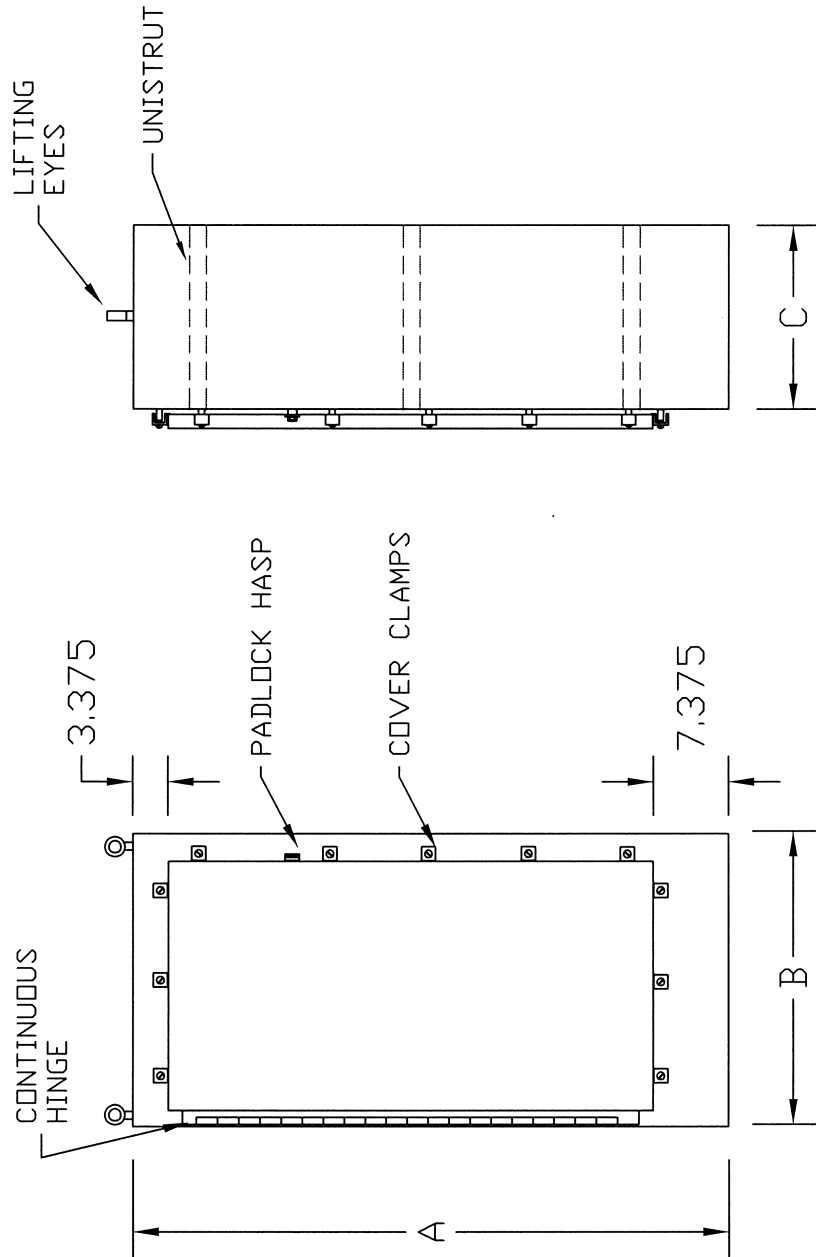
TYPE 4 FLOOR STANDING

NOTES: MADE FROM 12 GAUGE STEEL, ANS1 61 GREY
 DOORS TO HAVE CONTINUOUS HINGE, DOOR CLAMPS, PADLOCK HASP,
 REMOVABLE CENTER POST, LIFTING EYE BOLTS
 ENCLOSURE BUILT TO UL SPECS.
 * FLOOR STANDS WILL BE 12" HIGH UNLESS OTHERWISE NOTIFIED

GAYLORD MFG. CO.
 PH. (209)538-3313
 FAX (209)538-8638

DRAWN BY KM	DWG. NO. N4FLDD	SCALE NONE
CHKD BY VL		DATE

TYPE 4 FREE STANDING ENCLOSURE



"A" --- X --- "B" --- X --- "C" --- X ---
 DIM: --- X --- X --- X ---

MOUNTING PANEL

YES ---
 NO ---

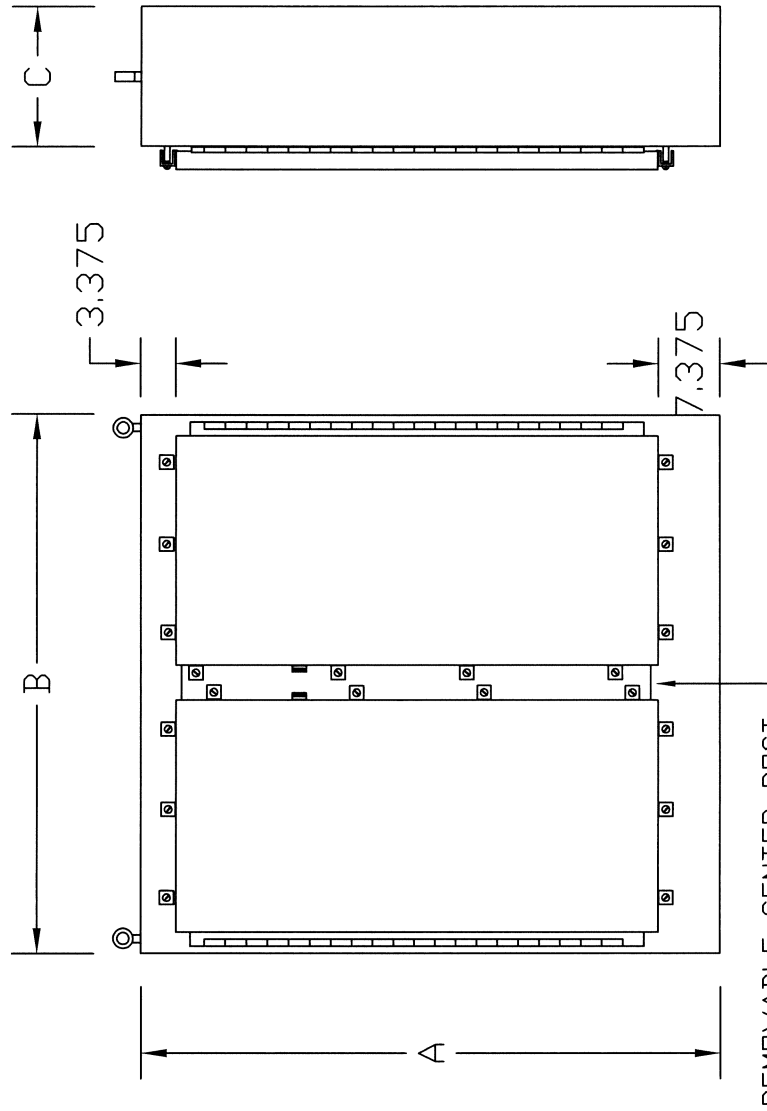
TYPE 4 FREE STANDING

GAYLORD MFG. CO.
 PH. (209)538-3313
 FAX (209)538-8638

DRAWN BY KM	DWG. NO. N4FSD	SCALE NONE
CHKD BY WL	DATE	

NOTES: MADE FROM 12 GAUGE SHEET STEEL
 COVER TO HAVE CONTINUOUS HINGE, EXTERNAL COVER CLAMPS, PADLOCK HASP
 ANSI 61 GREY
 ENCLOSURE MADE TO UL SPECS.

TYPE 4 FREE STANDING TWO DOOR ENCLOSURE



"A" "B" "C"
 DIM: --- X --- X ---

MOUNTING PANEL
 YES ---
 NO ---

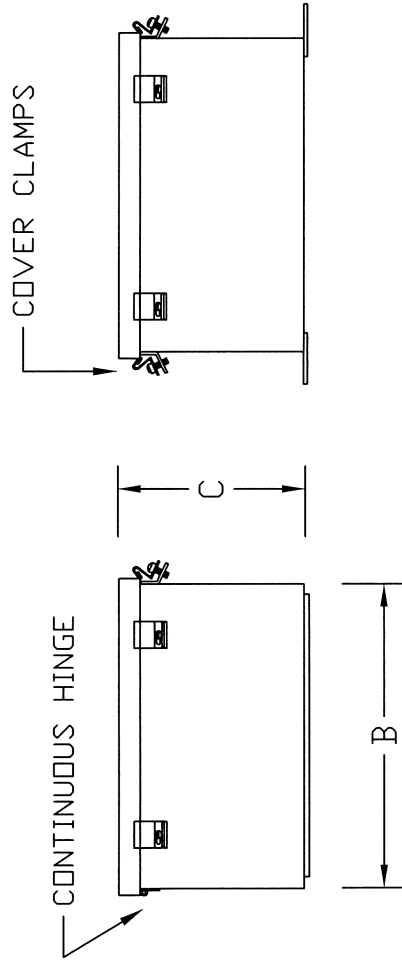
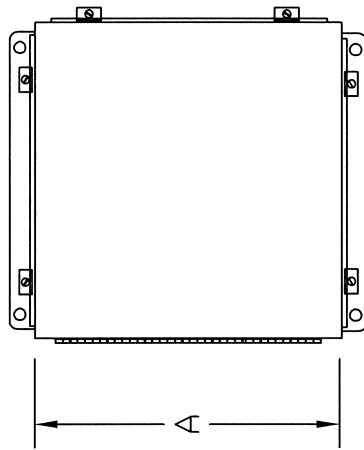
TYPE 4 FREE STANDING

GAYLORD MFG. CO.
 PH: (209)538-3313
 FAX: (209)538-8638

DRAWN BY KM	DWG. NO. N4FSDD	SCALE NONE
CHKD BY WL		DATE

NOTES: MADE FROM 12 GAUGE SHEET STEEL
 COVERS TO HAVE CONTINUOUS HINGE, EXTERNAL COVER CLAMPS, PADLOCK HASP
 REMOVABLE CENTER POST, WITH LIFTING EYE BOLTS,
 ANSI 61 GREY
 ENCLOSURE MADE TO UL SPECS.

TYPE 4X JIC HINGE COVER ENCLOSURE



"A" X "B" X "C"
 DIM: _____ X _____ X _____

MATERIAL

304 STAINLESS-----
 316 STAINLESS-----

MOUNTING PANEL

YES-----
 NO-----

TYPE 4X JIC

GAYLORD MFG. CO.
 PH. (209)538-3313
 FAX (209)538-8638

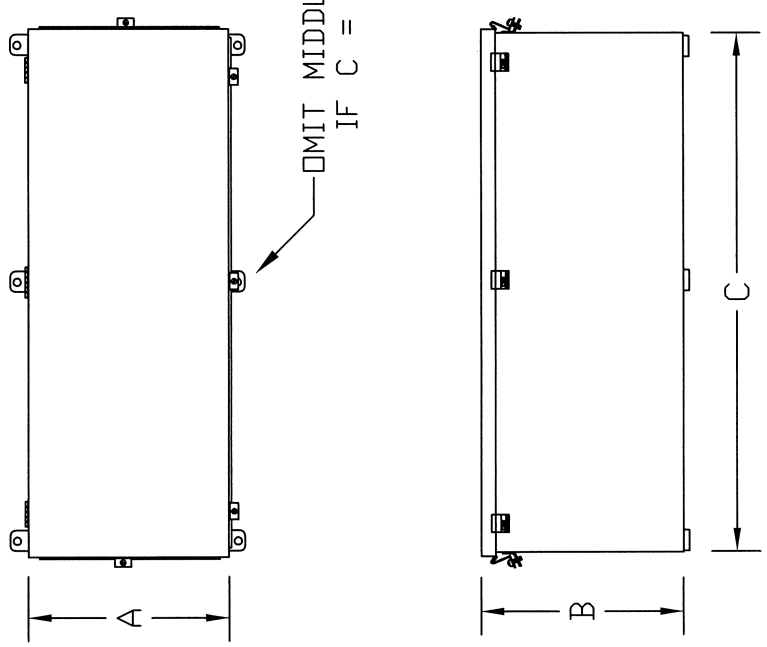
DRAWN BY KM	DWG. NO. N4XJIC	SCALE NONE	DATE
CHKD BY WL			

NOTES: MADE FROM 14 GAUGE STAINLESS STEEL
 COVER TO HAVE CONTINUOUS HINGE, EXTERNAL COVER CLAMPS
 ENCLOSURE MADE TO UL SPECS.

TYPE 4X ENCLOSED WIRING TROUGH

'A' 'B' 'C'
 DIM: --- X --- X ---

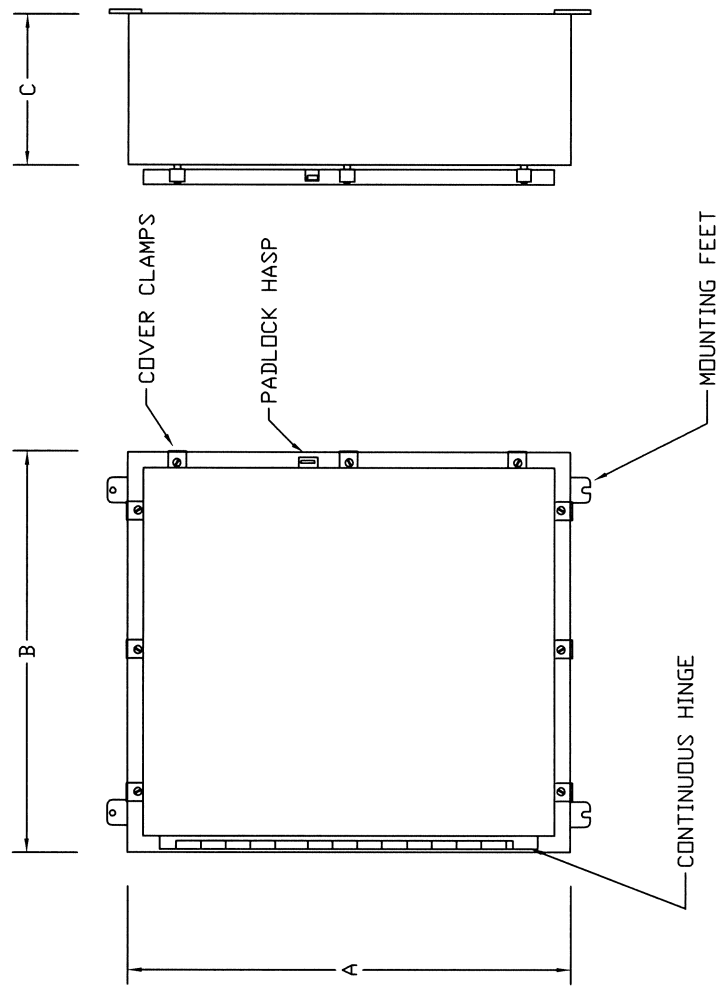
MATERIAL
 304 STAINLESS
 316 STAINLESS



NOTES: MADE FROM 14 GAUGE STAINLESS STEEL
 WELDED SEAMS, GASKETED COVER
 WITH EXTERNAL COVER CLAMPS, BUTT HINGES
 ENCLOSURE MADE TO UL SPECS.

TYPE 4X WIRING TROUGH			
GAYLORD MFG. CO. PH. (209)538-3313 FAX (209)538-8638			
DRAWN BY KM	DWG. NO. N4XWT	SCALE NONE	DATE
CHKD BY WL			

TYPE 4X SINGLE DOOR WALL MOUNT ENCLOSURE



COVER TO HAVE COVER CLAMPS

DIM: "A" X "B" X "C"
 DIM: ___ X ___ X ___

MATERIAL

304 STAINLESS
 316 STAINLESS

MOUNTING PANEL

YES
 NO

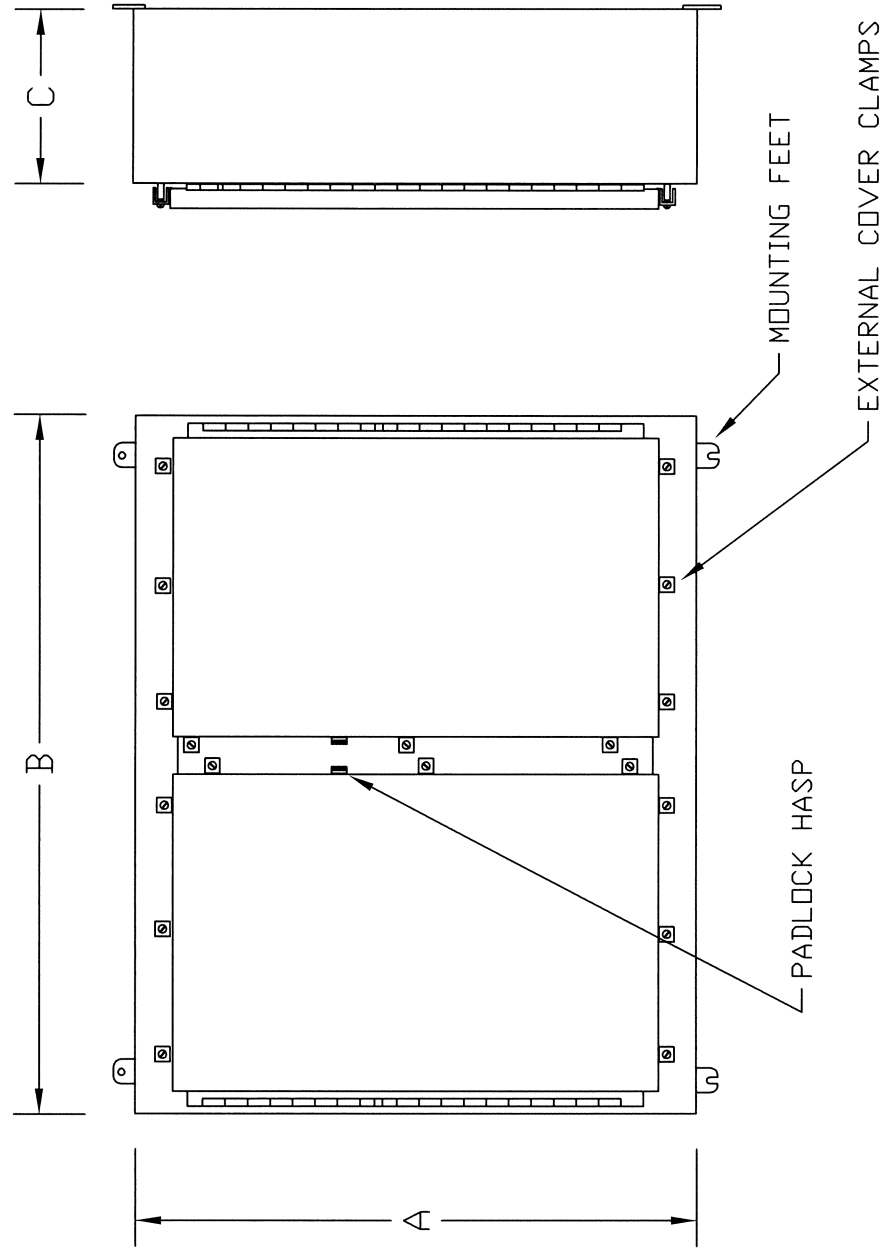
TYPE 4X HINGE COVER

GAYLORD MFG. CO.
 PH. (209)538-3313
 FAX (209)538-8638

DRAWN BY KM	DWG. NO. N4XHC	SCALE NONE
CHKD BY. VL		DATE

NOTES: ENCLOSURE MADE FROM 14 GAUGE STAINLESS STEEL
 SINGLE DOOR UP TO 42" WIDE
 ENCLOSURE BUILT TO UL SPECS.

TYPE 4X TWO DOOR WALL MOUNT ENCLOSURE



DIM: "A" X "B" X "C"
 X X X

MATERIAL

304 STAINLESS
 316 STAINLESS

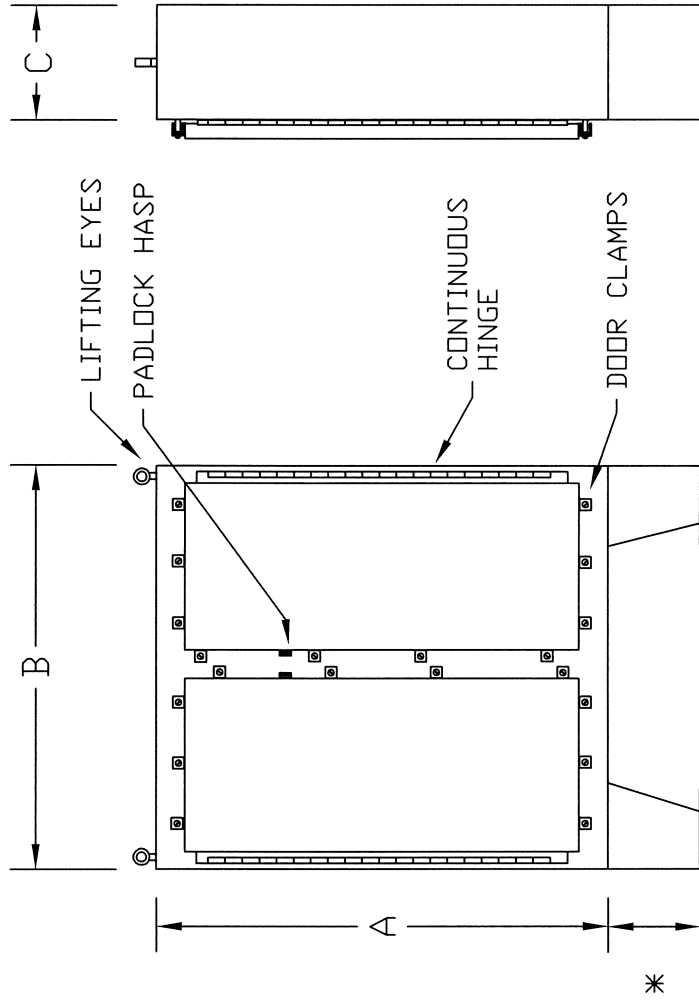
MOUNTING PANEL

YES
 NO

TYPE 4X WALL MOUNT			
GAYLORD MFG. CO. PH. (209)538-3313 FAX (209)538-8638			
DRAWN BY KM	DWG. NO. N4XHCDD	SCALE NONE	DATE
CHKD BY WL			

NOTES: MADE FROM CODE GAUGE STAINLESS STEEL
 DOORS TO HAVE CONTINUOUS HINGE, DOOR CLAMPS, PADLOCK HASP,
 REMOVABLE CENTER POST, EXTERNAL MOUNTING FEET
 ENCLOSURE BUILT TO UL SPECS.

TYPE 4X TWO DOOR FLOOR STANDING ENCLOSURE



"A" --- X "B" --- X "C" --- X
DIM: --- X --- X --- X

MATERIAL

304 STAINLESS ---
316 STAINLESS ---

MOUNTING PANEL

YES ---
NO ---

TYPE 4X FLOOR STANDING

GAYLORD MFG. CO.
PH. (209)538-3313
FAX (209)538-8638

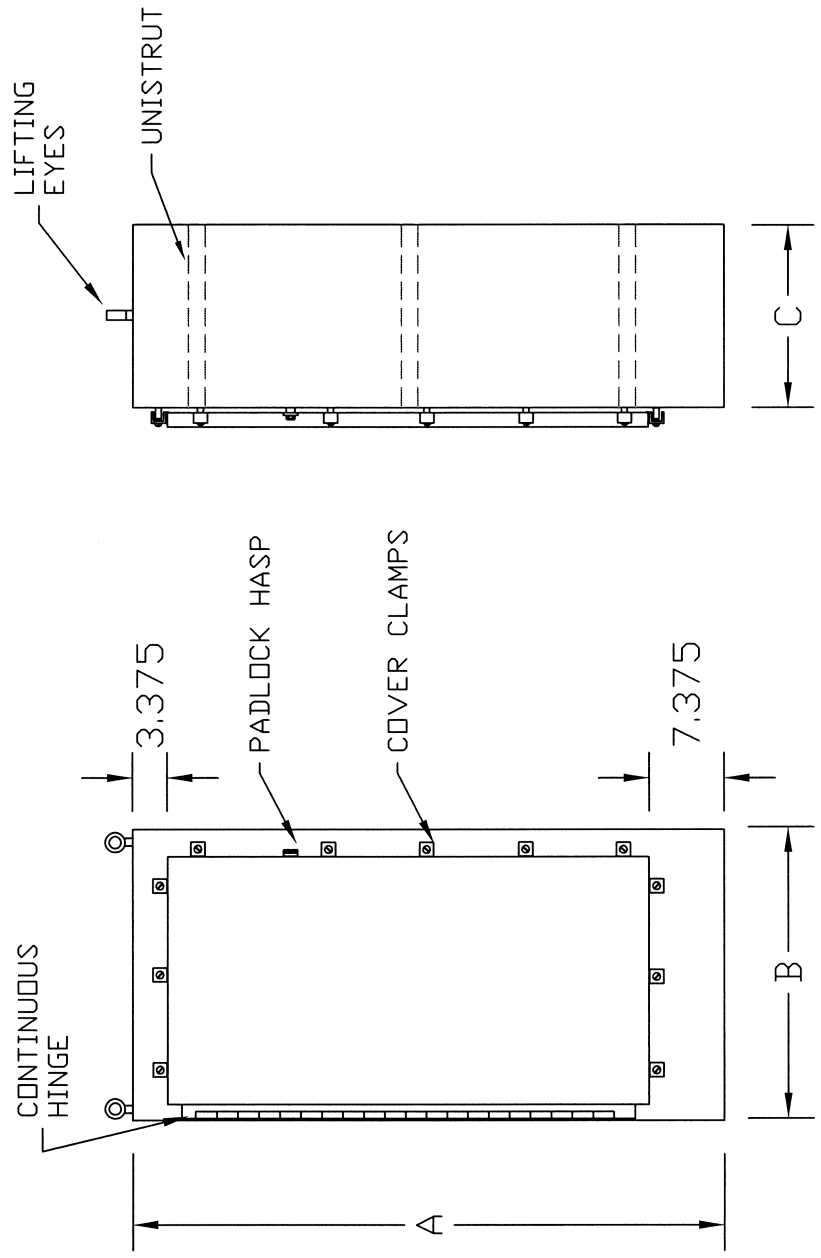
DRAWN BY KM	DWG. NO. N4XFLDDS	SCALE NONE
----------------	----------------------	---------------

CHKD BY VL	DATE
---------------	------

NOTES: MADE FROM 12 GAUGE STAINLESS STEEL
DOORS TO HAVE CONTINUOUS HINGE, DOOR CLAMPS, PADLOCK HASP,
REMOVABLE CENTER POST, LIFTING EYE BOLTS
ENCLOSURE BUILT TO UL SPECS.

* FLOOR STANDS WILL BE 12" HIGH UNLESS OTHERWISE NOTIFIED

TYPE 4X FREE STANDING ENCLOSURE



"A" X "B" X "C"
 DIM: --- X --- X ---

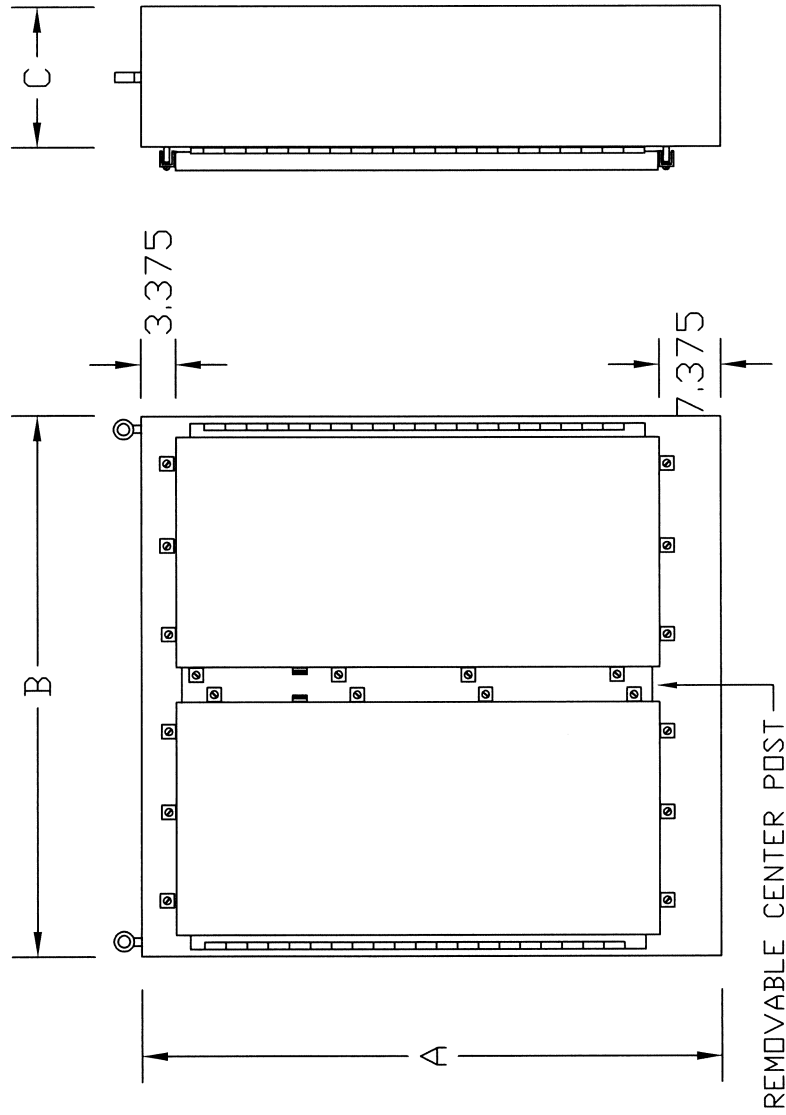
MATERIAL
 304 STAINLESS
 316 STAINLESS

MOUNTING PANEL
 YES ---
 NO ---

TYPE 4X FREE STANDING			
GAYLORD MFG, CO. PH. (209)538-3313 FAX (209)538-8638			
DRAWN BY KM	DWG. NO. N4XFSDS	SCALE NONE	DATE
CHKD BY. WL			

NOTES: MADE FROM 12 GAUGE STAINLESS STEEL
 COVER TO HAVE CONTINUOUS HINGE, EXTERNAL COVER CLAMPS, PADLOCK HASP
 ENCLOSURE MADE TO UL SPECS.

TYPE 4X FREE STANDING TWO DOOR ENCLOSURE



"A" _____ X "B" _____ X "C" _____
 DIM: _____ X _____ X _____

MATERIAL

304 STAINLESS _____
 316 STAINLESS _____

MOUNTING PANEL

YES _____
 NO _____

TYPE 4X FREE STANDING

GAYLORD MFG. CO.
 PH. (209)538-3313
 FAX (209)538-8638

DRAWN BY KM	DWG. NO. N4XFSD	SCALE NONE
CHKD BY WL	N4XFSD	DATE

NOTES: MADE FROM 12 GAUGE STAINLESS STEEL
 COVERS TO HAVE CONTINUOUS HINGE, EXTERNAL COVER CLAMPS, PADLOCK HASP
 REMOVABLE CENTER POST, WITH LIFTING EYE BOLTS,
 ENCLOSURE MADE TO UL SPECS.